

Volume 2 AMENDMENT No. 10

Date of issue: December 2022.

After the publication of 'Wireless for the Warrior' Volume 2 'Wireless Sets of WW2', a small number of minor (typing) errors and incorrect data was spotted. Corrections, additional photos and newly found items are published in 'Volume 2 Amendments'. Double side printed on A4 paper, cut away circa 7 mm from the bottom and side of the sheet. The prepared sheets will fit snugly between the inside cover and dust cover flap.

Remote control units for Wireless Set No. 18.

Remotely operating a Wireless Set No. 18 over a field line, using a standard Telephone D Mk.V, was a requirement which arose after fielding this set. Two functionally different versions were developed by S.E.E., at that time located at Warnham Court.

- Remote Control Unit Type I could connect a Wireless Set No. 18 via a switchboard with a subscriber. The Telephone D Mk.V was equipped with a switch unit and required no operator at the wireless set side.
- Remote Control Unit Type II enabled a single remote user equipped with a Tele-

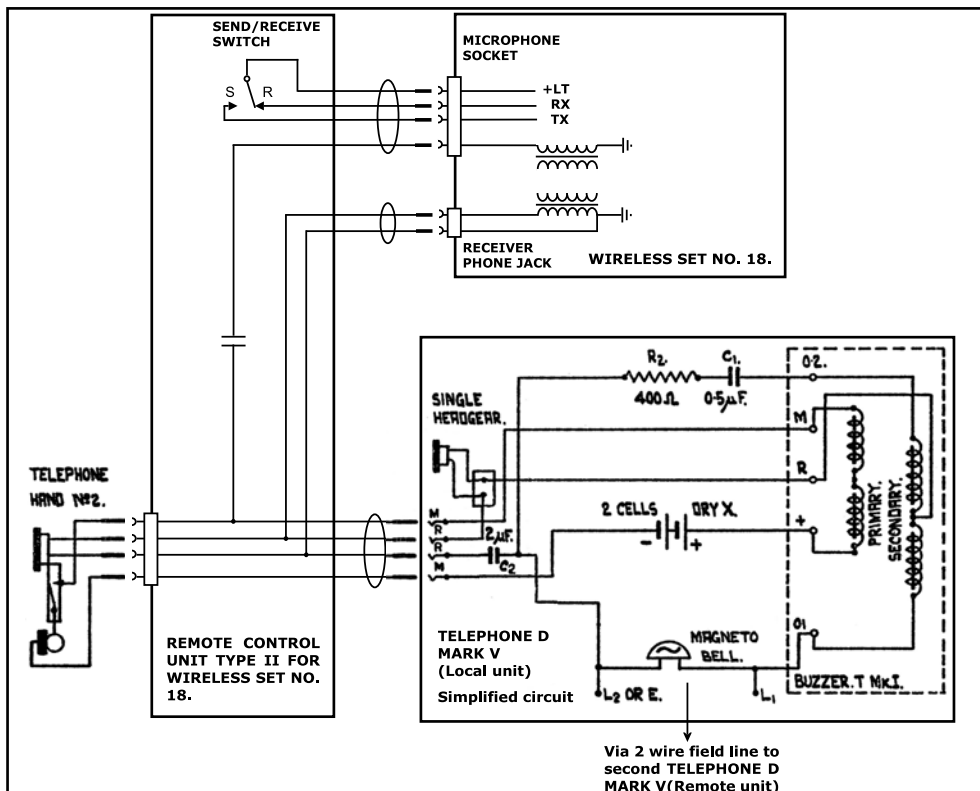
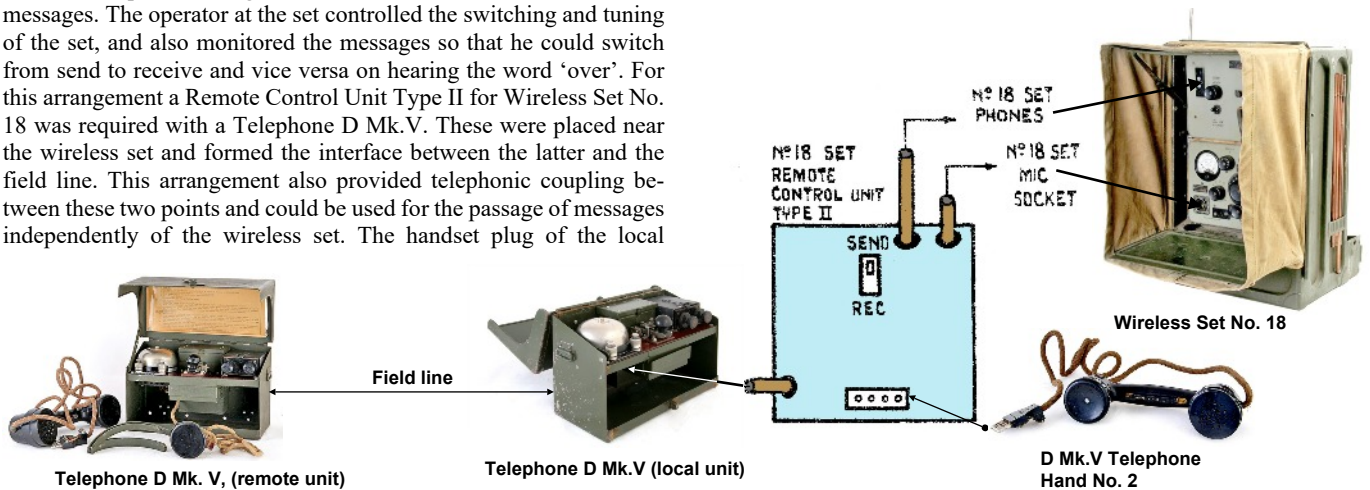
phone D Mk.V, e.g. at an artillery observation point, to speak through the wireless link. A local wireless operator was required to control send-receive switching. No evidence was found that after field trials these remote control systems ever came into use.

Remote Control Unit Type II for Wireless Set No. 18.

General description

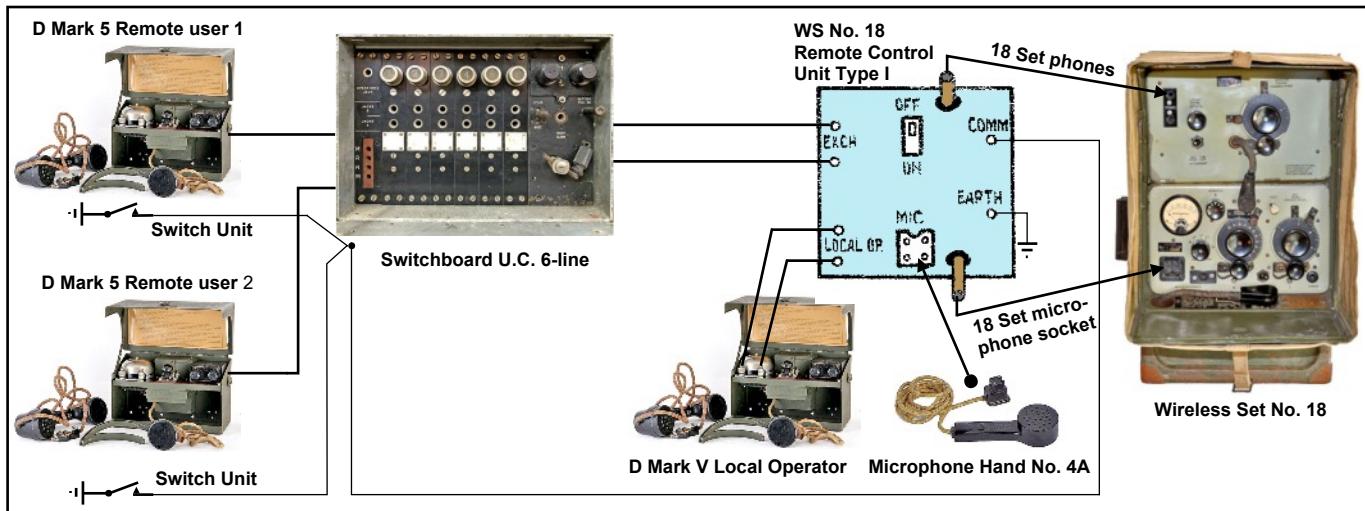
Remote Control Unit Type II for Wireless Set No. 18 was designed to enable a second person situated some distance from the wireless set to transmit speech through the wireless link and hear the received messages. The operator at the set controlled the switching and tuning of the set, and also monitored the messages so that he could switch from send to receive and vice versa on hearing the word 'over'. For this arrangement a Remote Control Unit Type II for Wireless Set No. 18 was required with a Telephone D Mk.V. These were placed near the wireless set and formed the interface between the latter and the field line. This arrangement also provided telephonic coupling between these two points and could be used for the passage of messages independently of the wireless set. The handset plug of the local

Telephone D Mk.V was connected via the remote control unit Type II. The remote Telephone Set D Mk.V was connected in the normal manner to the L and E terminals of the D Mk.V local unit.



Block circuit diagram of remote control Type II for Wireless Set No. 18.

Remote control unit Type I for Wireless Set No. 18.



General description

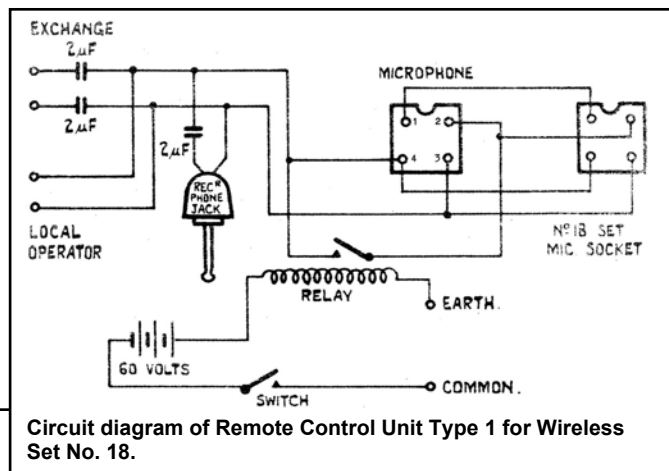
Remote Control Unit Type I for Wireless Set No. 18 was designed to enable the wireless set to be linked up to a field exchange (e.g. Switchboard U.C. 6-line), so that any subscriber of the exchange may be connected through to the wireless set and so be enabled to use the wireless link. A Switch Unit, taking the place of the microphone pressel switch was fitted to each subscribers telephone set to enable the user to switch from send to receive and vice versa.

For this arrangement the Remote Control Unit Type I was placed near the wireless set, forming a link between the latter and the exchange. In addition it provided telephonic communication between the wireless set operator and any subscriber of the exchange independently of the wireless set.

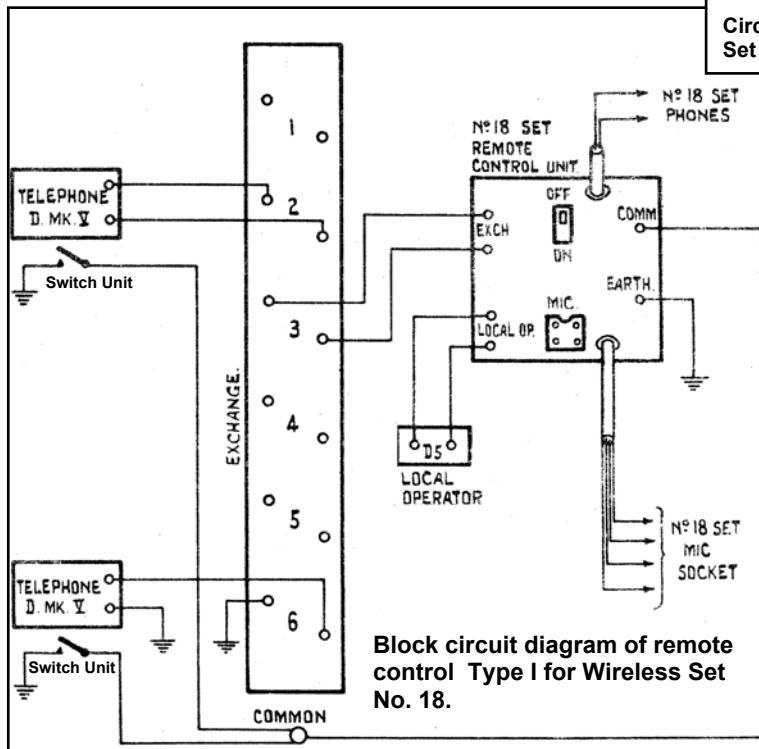
The Switch Unit was fastened to the subscriber's telephone set, one terminal connected to common connector at the exchange and the other connected to earth.

Operation

When desired to use the wireless link from a subscribers telephone, the exchange called the local operator in the usual matter. He, in turn, established communication with the distance wireless set. When connection was made, the subscriber/caller pressed the switch unit to speak, and release to listen.



Circuit diagram of Remote Control Unit Type 1 for Wireless Set No. 18.



Block circuit diagram of remote control Type I for Wireless Set No. 18.

References

- Information and permission to use scans from S.E.E Pamphlets 283A and 301, courtesy Royal Signals Museum, Blandford Forum, U.K.
- Wireless for the Warrior, Volume 2, Chapter WS18, L. Meulstee, 2001, isbn 1898805 10 5.
- S.E.E. Pamphlet No. 283A, Remote Control Unit Type I, General description and working instructions, June 1941.
- S.E.E. Pamphlet No. 301, Remote Control Unit Type II, General description and working instructions, April 1941.
- Signal Training, Volume III, Pamphlet No. 22, Telephone sets, D, Mark V, 1938.
- Signal Training, Volume III, Pamphlet No. 26, Switchboard U.C. 10-line and 6-line, 1940.
- Working instructions, Wireless Set No. 18, Mk.I, II and III, ZA 3207, n.d.