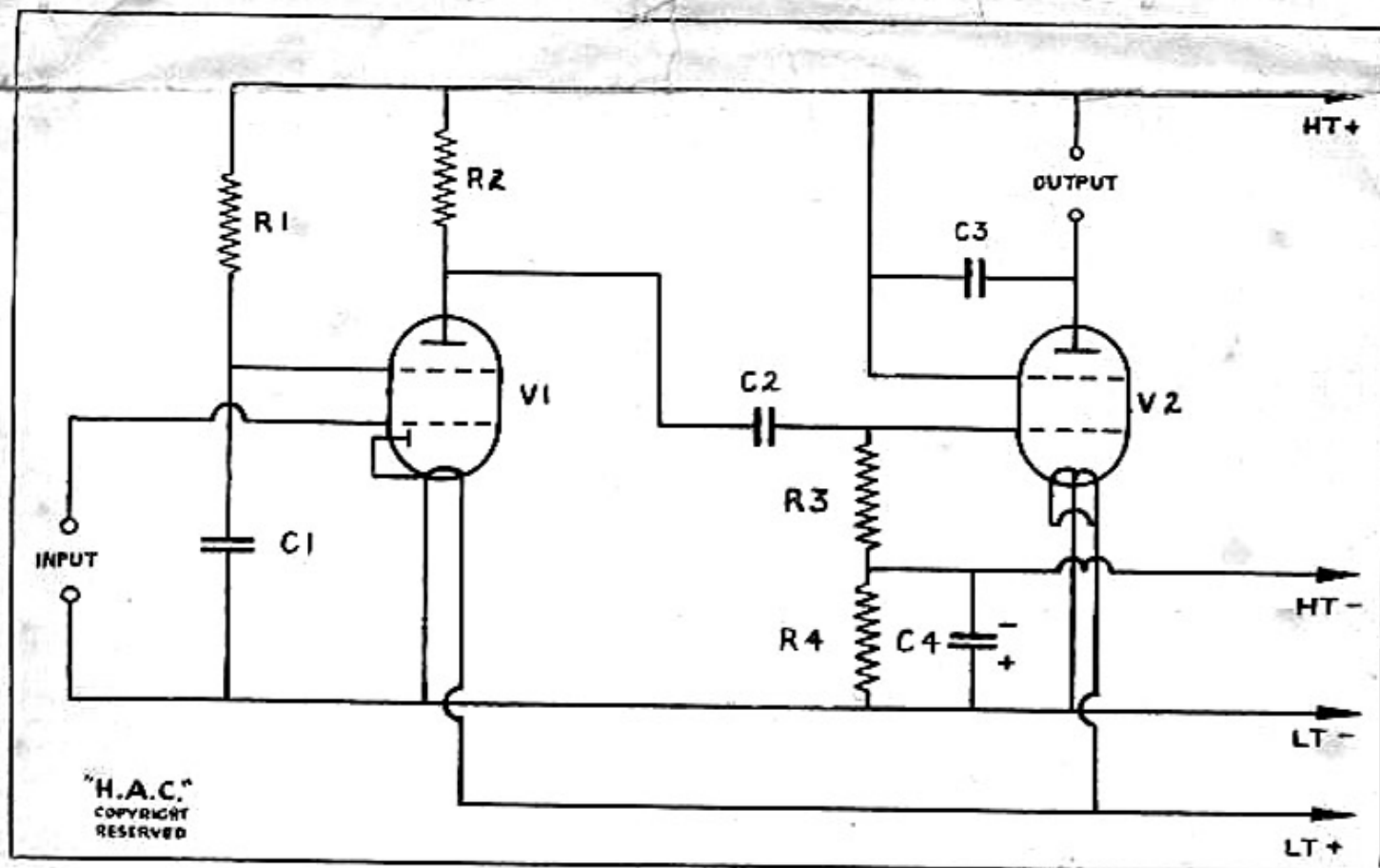


H.A.C. TWO-VALVE ALL-DRY AMPLIFIER



LIST OF COMPONENTS

C 1	0.1 mfd.	V1.	1S5	(OR EQUIVALENT)
C 2	.01 mfd.	V2.	354	(OR EQUIVALENT)
C 3	.0025 mfd.	BATTERY—EVER-READY B103		
C 4	25 mfd.	OR EXIDE DM503		
R 1	680 K. OHMS.	(ONE BATTERY IS SUITABLE FOR		
R 2	100 K. OHMS.	OPERATING BOTH CIRCUITS		
R 3	470 K. OHMS.	COMBINED)		
R 4	910 K. OHMS.			

ADDITIONS TO THE ONE VALVE CIRCUIT

The two valve battery amplifier, as shown in the circuit, can be added if loudspeaker reception is required. However, we suggest that the one valve circuit should be made to operate satisfactorily in the first instance. If a loudspeaker is employed in conjunction with the amplifier and it is of the normal P.M. low resistance type, then it must employ a transformer.

PRICE LIST FOR ADDITIONAL ACCESSORIES

TWO VALVE BATTERY AMPLIFIER KIT.

The complete kit of all components (less valves) is supplied with a ready drilled chassis. This chassis can be used as a separate amplifier, or can if preferred be bolted to the one valve chassis, to make a combined unit.
Price of Kit with chassis £1.15.0 (including postage).

VALVES.

The above Kit does not include the valves. The two valves specified in the circuit, are available at £1.13.6 the pair (including Purchase Tax).

LOUDSPEAKER.

A suitable loudspeaker of P.M. type complete with matching output transformer £1.17.6 (postage 2/6 extra).

HEADPHONES.

A super sensitive pair of high resistance Headphones, recommended for the model 'K' receiver—Price 16/6 (postage 1/6).

COILS.

Two additional plug-in coils are available for this receiver one covers wavelengths below 20 metres type K5, and the other wavelengths above 50 metres, type K3. Price 7/6 each. Specify Model 'K' coils.

Sole Manufacturers :

"H.A.C." SHORT WAVE PRODUCTS

11 Old Bond Street, London, W.1

Telephone : GROsvenor 2805-6.