



Bodrog A Country of origin: Czechoslovakia

DATA SUMMARY

Organisation: ŠTB - Štátna bezpečnosť (Secret State Police) and Správa 2 - kontrarozviedka (Government, Department 2, counter-espionage).

Design/Manufacturer: Správa 6 - spojovacia technika (Government, Department 6, communication technics).

Year of Introduction: Mid 1970s.

Purpose: Reception of spy bugs.

Receiver:

Circuit features: RF Amp, Mix, Osc, 1st IF, CO, 2nd Mix, 2nd IF, Discr., Descrambler, AF stage, Scanner circuit. (Wide band FM).

Frequency Coverage: 153-165.5MHz.

Intermediate Frequency: 37.8MHz and 10.7MHz.

Transistor types: Mainly silicon types and ICs.

Power Supply: AC Mains 120/220V or accumulator.

Size (cm): Height 6½, Length 20, Width 18.

Weight (kg): 1 (less power pack).

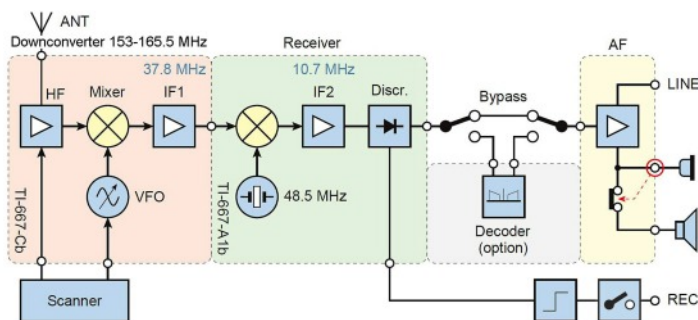
Accessories: AC mains lead AC power pack, earphone, aerial, tape recorder connector, accumulator pack.

REMARKS

The Bodrog A (named after a river in Slovakia) was a receiver for listening and recording conversations picked up by wireless spy bugs (miniature covert transmitters placed at hidden locations). It was developed and produced under project number TI 667 by Správa 6 - spojovacia technika I. Two variants were known: a VHF model (Bodrog A) and a UHF model (Bodrog B). They were basically similar and differed only in the type of down converter. Bodrog receivers had manual tuning and an automatic scanning facility operated by varicaps. A mains power pack or accumulator pack was normally attached to the back of the receiver. Bodrog A and B were replaced about 1987 by type Dunaj. (Chapter 22)



View of chassis Bodrog A. On top are the receiver and AF boards. Located at the side, with its screen cover removed, is the down converter.



Block diagram of Bodrog A receiver.



Close up view of circuit board down converter.



Bodrog receiver with power pack and accessories in transit box.

References:

- Photographs, block diagram and general (technical) information courtesy Crypto Museum, Holland.
- Additional information Miro Hornik, OM3CU, Slovak Republic.