



Plug-in transmitter French (2)

Country of origin: France

DATA SUMMARY

Organisation: 'DRS/SR' French Intelligence Service in W. Berlin.

Year of Introduction: About 1954, used up to 1957.

Purpose: Agents.

Circuit features: A single valve operating as crystal oscillator/RF power amplifier. CW only.

Valve: 6AQ5.

Frequency coverage: 4-10 MHz.

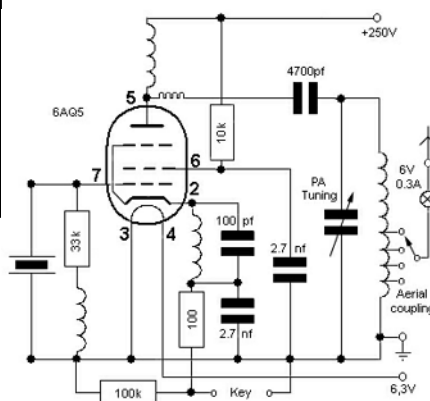
Power Supply: Taken from the AF output valve socket (with valve removed) of a broadcast receiver via a special cable.

Size (mm): Height 34, Length 223, Width 103.

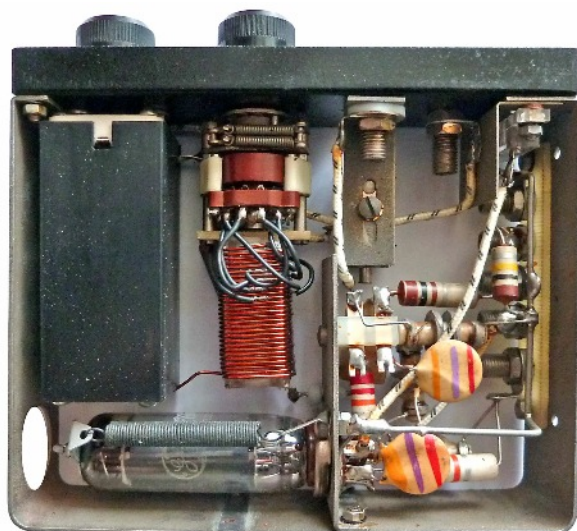
REMARKS

The 'Plug-in transmitter French 2' was mentioned in the 'France' chapter of WftW Volume 4 as 'French 1950s Miniature Transmitter'. With a strong resemblance in design and functionality to the 'Plug-in transmitter French 1' (Chapter 79) it is likely to be a later factory made version. There was no longer a Morse key incorporated and the connections to the power supply, derived from a normal broadcast radio, were standard sockets for colour coded banana plugs. In a former MfS document

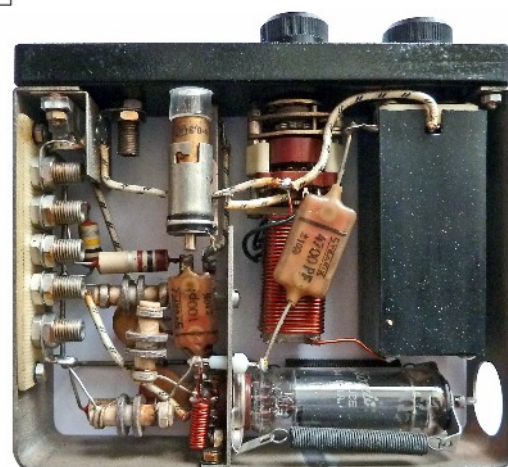
it was mentioned that issued with this set was a 'Sliding plate' Morse keying device similar to the one used with other French sets in chapters 79 and 81.



Circuit diagram of the Plug-in transmitter French (2).



Bottom view (above) and top view (right) of Plug-in transmitter French (2) with cover removed. The construction had a professional appearance and indicates a serial production. Sets that survived are in the DHM and in a private collection in France.



View of power input panel on the left hand side. (left)

References:

- Internal view pictures and additional information courtesy Armand and Claude Bouvier, France.
- Photographs and information by Detlev Vreisleben, DC7KG, Germany.