



Příklad
Country of origin:
Czechoslovakia

DATA SUMMARY

Organisation: 2 Správa - kontrarozviedka (Government, Department 2, counter-espionage).

Design/Manufacturer: 6 Správa - spojovacia technika (Government, Department 6, communication technics).

Year of Introduction: 1968.

Purpose: Monitor receiver.

Receiver:

Circuit features: Crystal controlled single channel triple conversion superheterodyne. F3 only.

Frequency Coverage: 465MHz band.
IF: 74MHz, 10.3MHz, 460kHz.

Power Supply: 12V DC external source.

Size (cm): Height 7, Length 27, Width 18.

Accessories: Power cable, cable to connect a tape recorder.

REMARKS

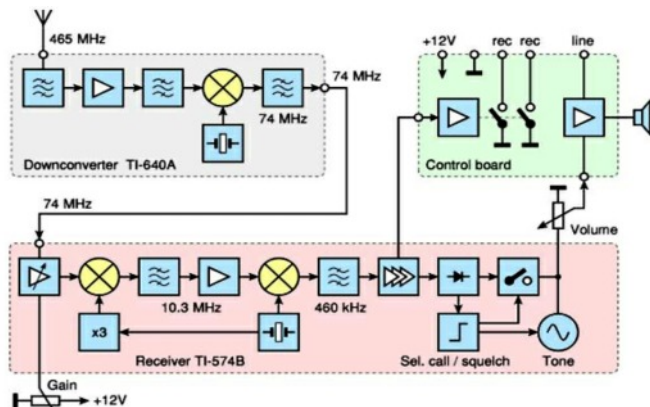
Příklad (Czech word for 'device') was a single channel UHF FM receiver used for monitoring communication of the French counter-espionage in Paris. The receiver was developed and produced by 6 Správa - spojovacia technika 2 under project numbers TI-574B (main receiver unit) and TI-640A (down converter). During the cold war, Czechoslovakia had a large number of spies and secret agents on active duty in France. Although working under the diplomatic cover of the embassy, nearly all were on the payroll of the ŠtB, the ZS GŠ or Správa 1. Consequently, many were followed by the French counter-espionage as soon as they started walking the streets of Paris. For covert communication between agents of the counter-espionage agency, the French used portable radios which operated on 465 MHz band. No encryption was used on these voice channels, as the French believed that due to the very high frequency the signals would not be intercepted. The Příklad, introduced in 1968, was immediately very successful producing much intelligence on a daily basis for many years.



Top view (left) and bottom view (right) showing the fully enclosed down converter, control board and receiver unit.



Stack of three Příklad UHF FM receivers. Several units were used simultaneously to monitor all the radio channels of the French counter-espionage. The receiver had only two controls: volume and RF gain, plus two leds indicating power and record.



Block circuit diagram of Příklad receiver.

References:

This chapter is an abridged version based on a full account of the Příklad described in www.cryptomuseum.com. Photos taken from a Příklad receiver held in the collection of the museum, block diagram and information from the website was published with kind permission of the Crypto Museum, Holland.