

Kabel zasilający	Mains lead
Antena	Aerial socket
Skala	Tuning scale
Słuchawki	Headphones sockets
Reakcja	Reaction control
Oscylator	Tuning control
Przedobwód	Preselector tuning

**Text translation of functions of controls OSU receiver.**

**OSU**

(Armia Krajowa #4)

Country of origin:

Poland

**REMARKS**

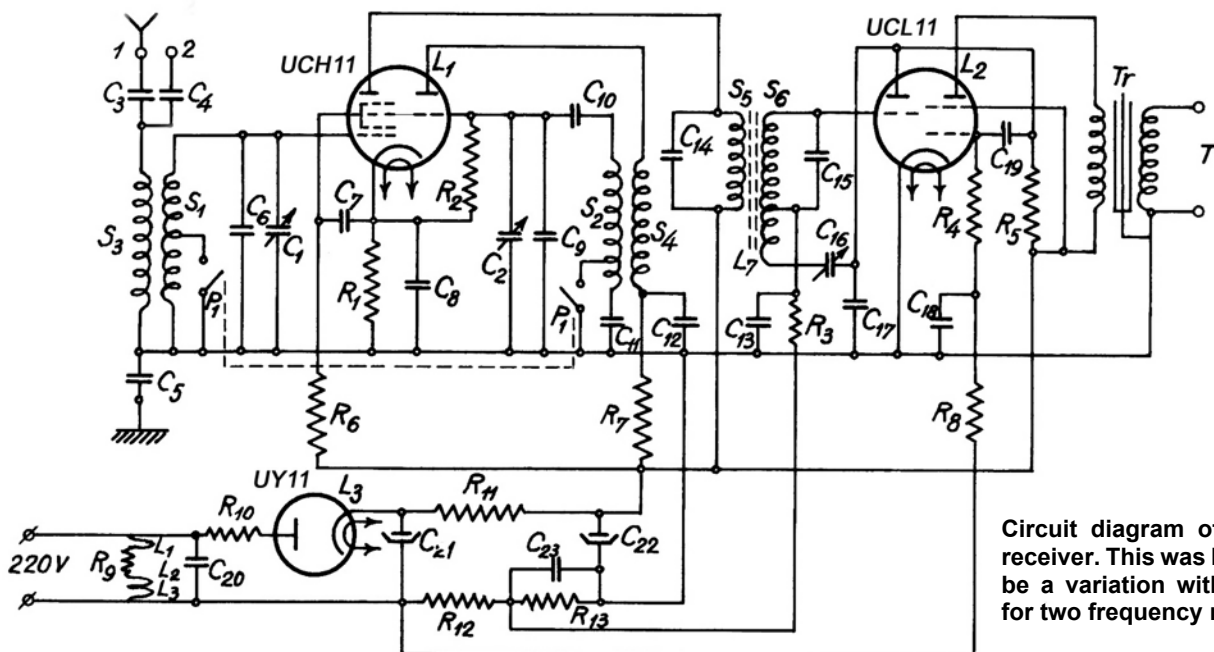
OSU (Odbiornik Sieciowy Uniwersalny, translated Universal Mains Receiver) was an AC/DC mains powered miniature shortwave receiver. The filaments were connected in series with a 900Ω resistor direct to the mains, drawing 100mA. High tension was also derived direct from the mains. It had the advantage that a difficult to obtain and heavy transformer was not required. The circuit diagram was based on the ubiquitous ‘Super-Gainer’ used in similar Polish receivers: OBA, OSB type I and II, and the Polish Stanmore ‘Pipsztock’ series. Although the circuit diagram shows two frequency ranges, in the associated front panel layout drawing this is missing. It might be speculated that there were variations or an omission in the drawing.

**DATA SUMMARY**

**Organisation:** Polish Home Army (Armia Krajowa).  
**Design/Manufacturer:** Clandestine Polish Home Army Radio Workshops e.g. Warsaw University of Technology.  
**Year of Introduction:** 1942/43.  
**Purpose:** Communication receiver for Polish Home Army.  
**Receiver OSU:**  
**Frequency coverage:** Believed 3.5-9MHz. IF 1.5MHz.  
**Circuit features:** Mixer/oscillator, Reg. IF/Det, AF; It was based on the 1936 ‘Super-Gainer’ design. The IF valve could be brought into oscillation for CW reception by means of the reaction control.  
**AF output:** Headphones.  
**Valves:** L1 UCH11, L2 UCL11.  
**Power Supply:** 220V AC or DC mains; Rectifier L3 UY11.  
**Dimensions (cm):** (An estimate!) Height 7½, length 15, width 19.

**References:**

- Drawing, circuit diagram and information courtesy Bogdan Szkudlarek, SP3LD, Poland.
- *Zolnierze Lacznozej Warszawy* (Communications soldiers of fighting Warsaw), Kazimierz Malinowski, Warszawa 1983, isbn 83-211-0378-2.
- *Wireless for the Warrior, Volume 4, Clandestine Radio*, Louis Meulstee, Wimborne 2004, isbn 095263 36 0.



Circuit diagram of the OSU receiver. This was believed to be a variation with a switch for two frequency ranges.