

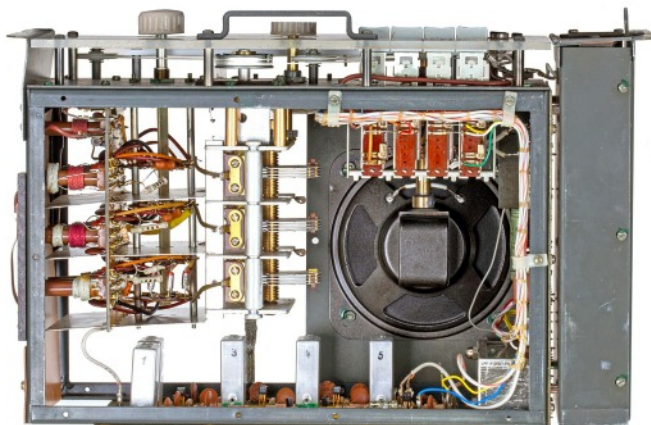
HSGT M-4/ FRM-2 Country of origin: Denmark
(Alert receivers #3)

DATA SUMMARY

Organisation: Probably Civil Defence, Denmark.
Design/Manufacturer: Tesam Electric, Denmark.
Year of Introduction: 1967.
Purpose: Warning/alert receiver.
Frequency coverage: 1500-6200KHz in three ranges: 1.5-3MHz, 3-4.5MHz, 4.5-6.2MHz.
Circuit features: Single conversion superheterodyne. RF, mixer, osc., IF, Det., AVC, BFO, AF. AM and CW.
Intermediate frequency: 1000kHz.
AF output: Internal loudspeaker only.
Aerial: Wire.
Power Supply: 9 'D' 1½V batteries or external 12V.
Dimensions (mm) and weight: Height 163, length 233, width 380; 5kg.

REMARKS

The HSGT M-4/FRM-2 was a portable warning receiver believed to be used by the Danish Civil Defence. The receiver was fully transistorised, enclosed in a metal enclosure with a removable protective lid over the front panel. Its electrical design and mechanical construction reflected that of commercial broadcast radio receivers of that era. It was powered by nine 1½V 'D' cells which were located in a separate compartment on the right hand side of the front panel. Provision was made to connect an external 12V DC source via sockets on the front panel.



Bottom view of the FRM-2 receiver showing battery compartment (separate unit right), control push buttons (top right), IF/BFO/AVC board (bottom), AF/BFO/power board (right) and RF assembly (left).



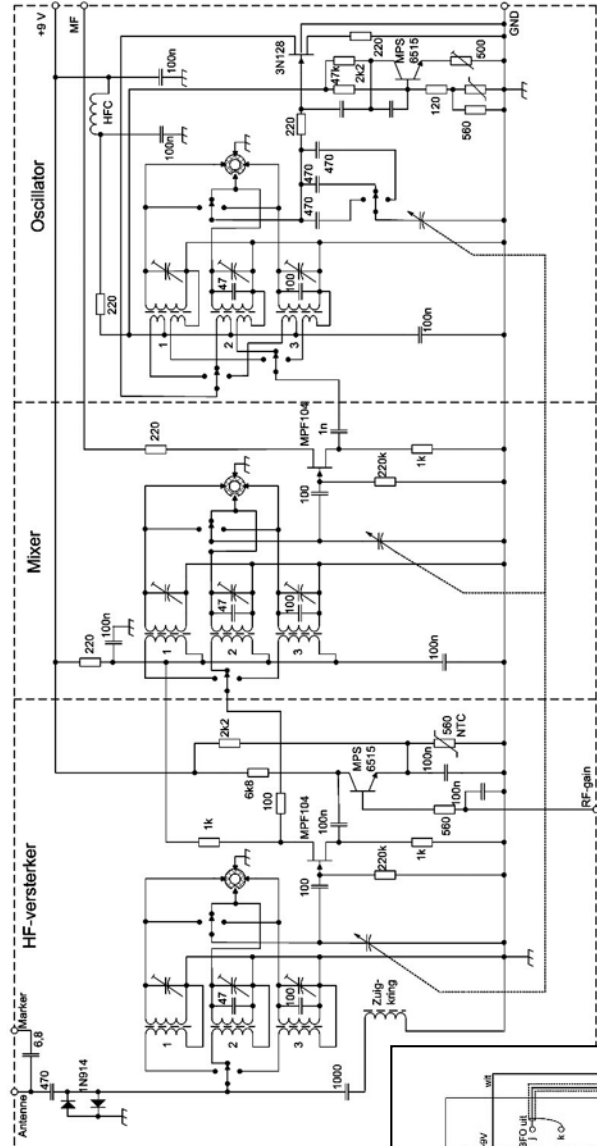
Right hand view of front panel with battery compartment opened (left).

Left hand side view with connections to aerial and earth (below).



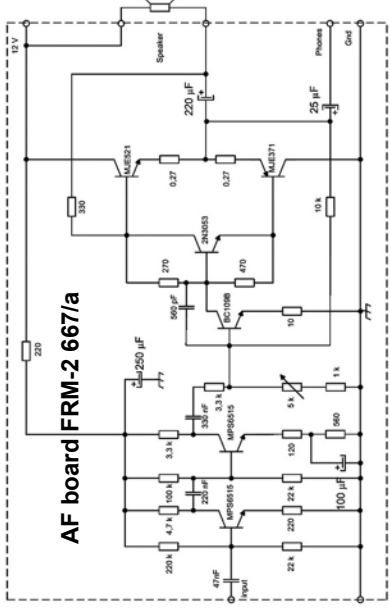
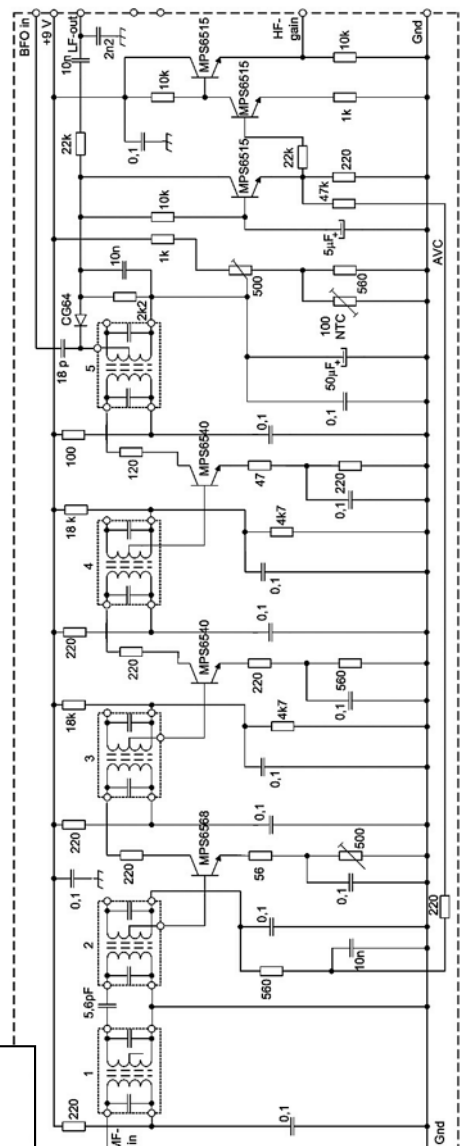
References:

- Photographs and information courtesy Jan Poortman PA3ESY, Holland. www.pa3esy.nl
- <http://www.jyskkoldkrigsforening.dk/varslingsstjenesten>

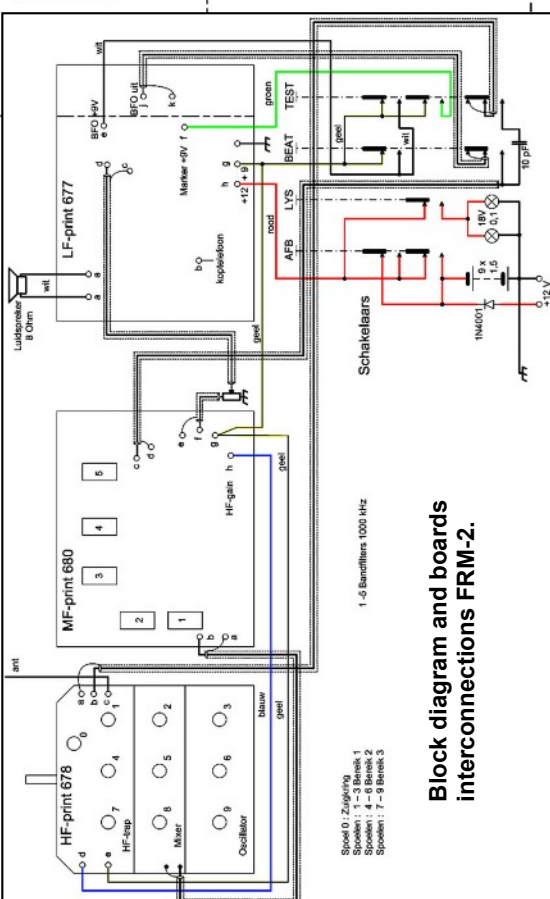


RF Assembly FRM-2 board 678.

IF/detector/AGC board FRM-2 680.



AF board FRM-2 667/a



Block diagram and boards interconnections FRM-2.

Power/xtal calibrator board FRM-2 677/b

