

'OG' transmitter  
Country of origin:  
Germany W

This supplement chapter is a follow up and should be read in conjunction with the OG section in the 'Germany after 1945' chapter of WftW Volume 4.

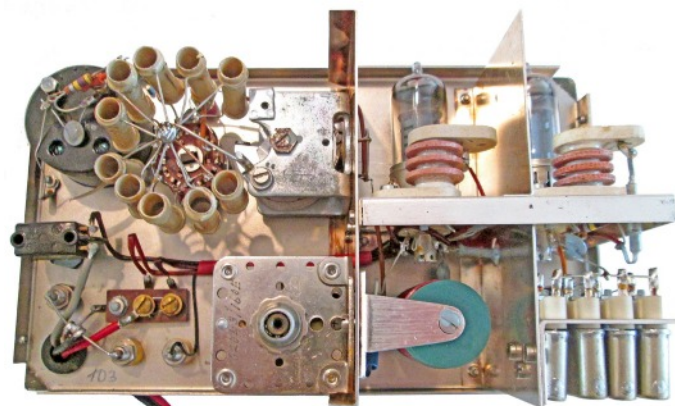
### DATA SUMMARY

**Organisation:** Organisation Gehlen (OG), Bundesnachrichtendienst.  
**Design/Manufacturer:** Probably OG workshop.  
**Year of Introduction:** 1951.  
**Purpose:** Agents.  
**Circuit features:** Crystal oscillator, RF power amplifier. CW only.  
**Frequency coverage:** 3-8MHz.  
**Valves:** EL 42 (2x)  
**Aerials:** Wire and counterpoise  
**Power Supply:** Probably a separate AC Mains power Unit or DC power pack of which no details are known.  
**Dimensions (cm) and weight:** Height 12.5, length 8, width 22; weight 2.1kg.

### REMARKS

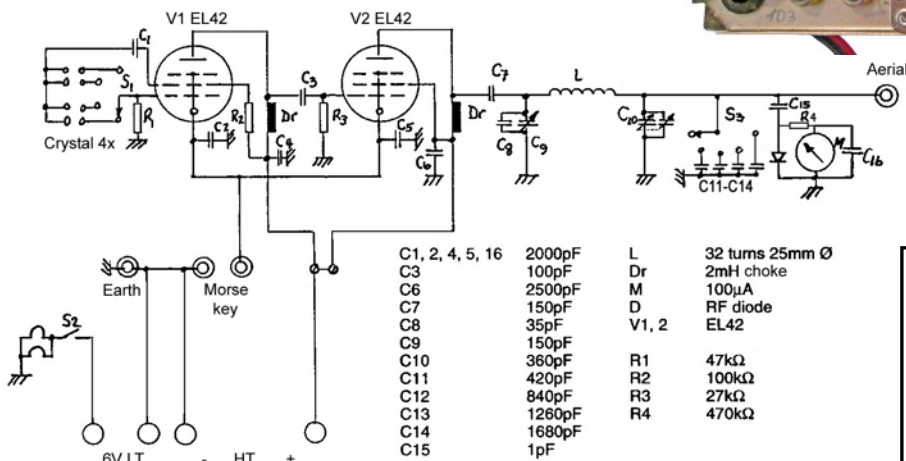
The 'OG'\*) transmitter was used by the post-war German intelligence service, initially Organisation Gehlen (OG), later Bundesnachrichtendienst. The transmitter was housed in a metal box with a protective lid. Four switchable crystals could be fitted inside the transmitter.

\*) Provisional name, no official type number known.



Internal view of the 'OG' transmitter.

Circuit diagram of the 'OG' transmitter (below).



**References:**

- Photographs kindly taken by Immo Hahn, DJ9CI, Germany.
- *Wireless for the Warrior, Volume 4, Clandestine Radio*, Louis Meulstee, Wimborne, 2004, isbn 0952063 35 2.