



AM-FM switch.

O2R2

Country of origin: GDR



DATA SUMMARY

Organisation: Russia.

Year of Introduction: 1950s.

Purpose: Short range voice communication.

Receiver: Superreg detector with RF stage and reflex AF.

Frequency coverage: 42.5MHz. Variable tuning over an unknown frequency range. RF and AF amplifier in reflex.

Transmitter: LO and RF power amplifier. AM or FM. Suppressor grid modulation for AM.

Frequency coverage: See rx.

Valves: 2x2SH27L and 2P29P.

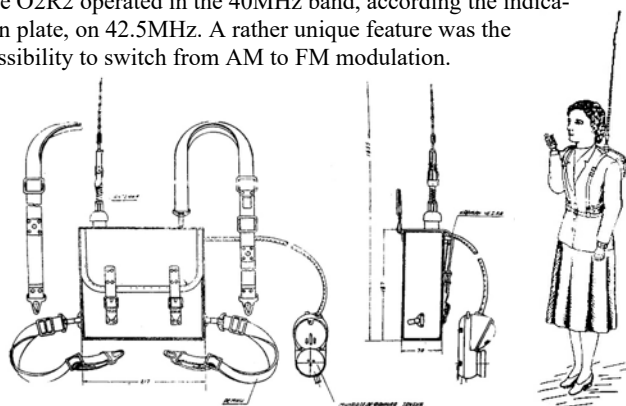
Power supply: 2.4V accumulator and transistor inverter.

Size: Height 18.7, length 21.7, width 7.

Accessories: Miniature handset, Kulikov aerial similar as used with R-116, carrying harness.

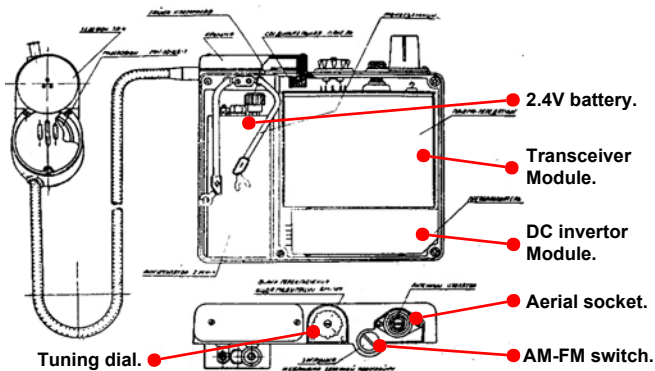
REMARKS

The O2R2Gr (Russian: O2P2Гр) and probably later produced B series SHR-4P B Ser. (Russian: ЖР-4П Б Сер.) were portable simplex VHF transceivers for short range communication. At the time of preparing this chapter not very much is known of its use. Considering a line drawing in the handbook this could be para-military or security. The O2R2 operated in the 40MHz band, according the indication plate, on 42.5MHz. A rather unique feature was the possibility to switch from AM to FM modulation.



Line drawings of O2R2 showing method of carrying.

It is almost certain that the O2R2 was based on the R-116, developed later by the same manufacturer, with the inclusion of a transistor DC inverter and a rechargeable 2.4V battery.



Line drawing opened O2R2 with functions of controls.



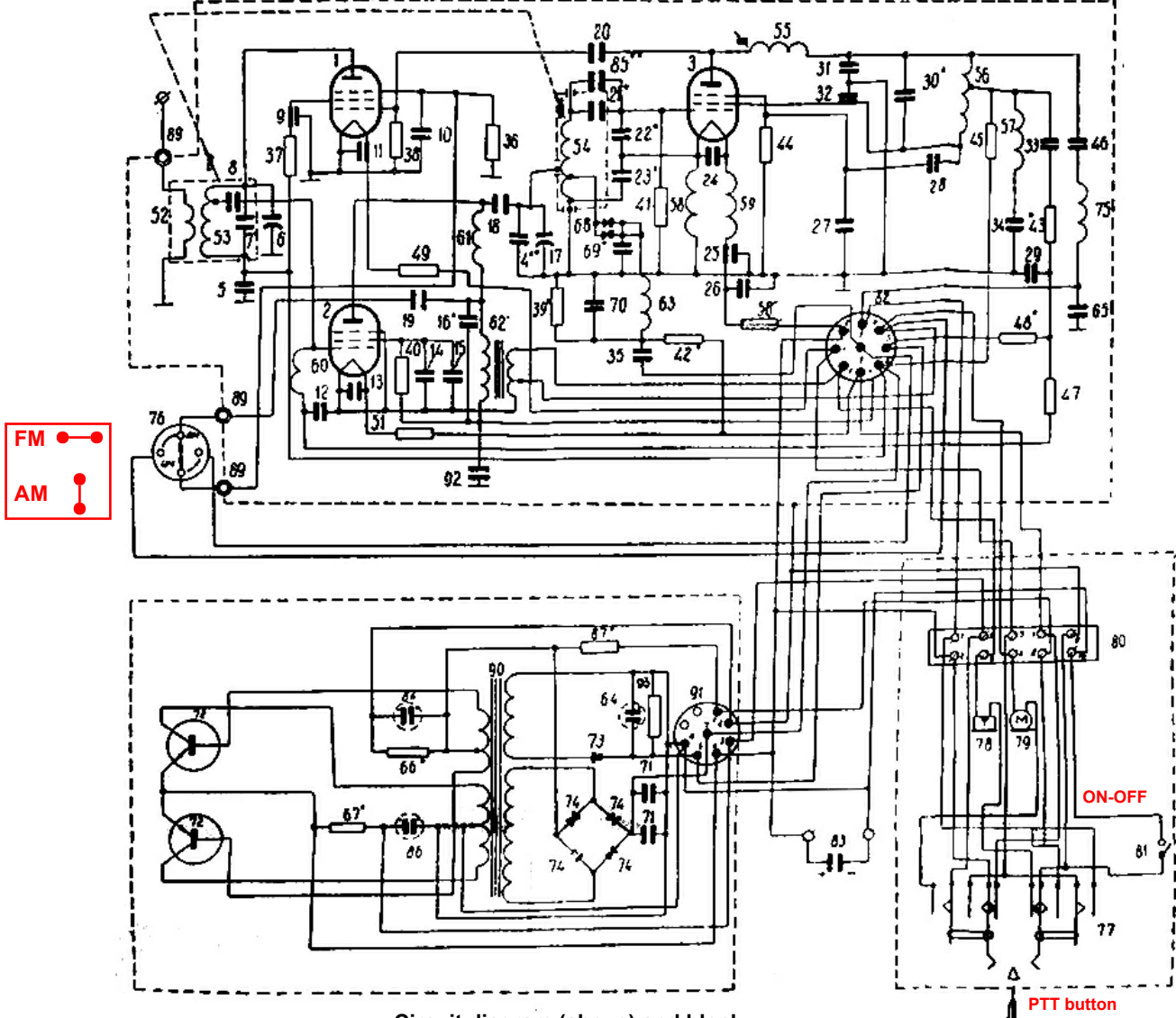
Peculiar shaped handset with PTT button on top. The B series had a different model handset. (See photo right)



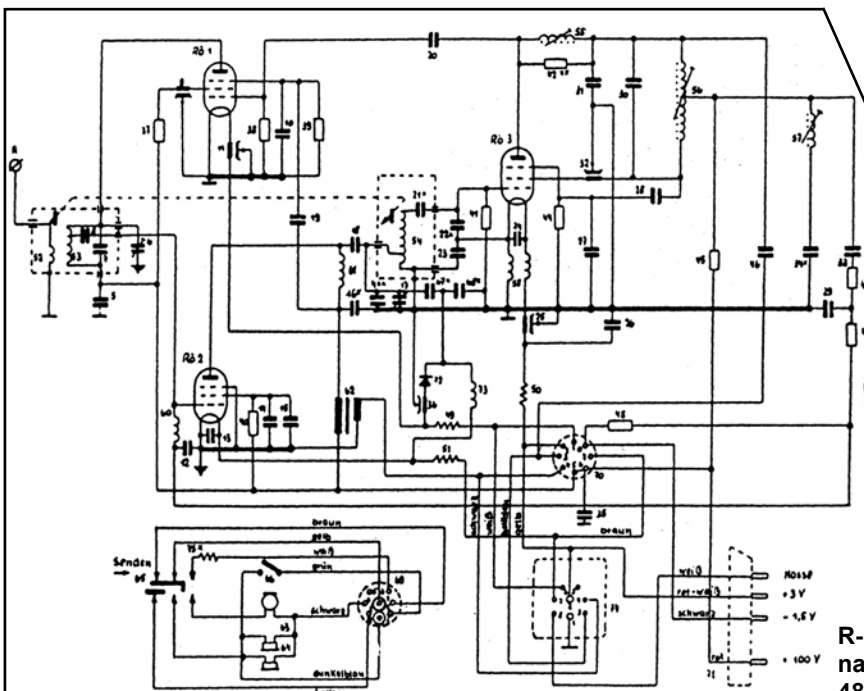
SHR-4P B Series which appeared to be similar to the O2R2 but with a different type of handset. Note the curled up Kulikov aerial

References:

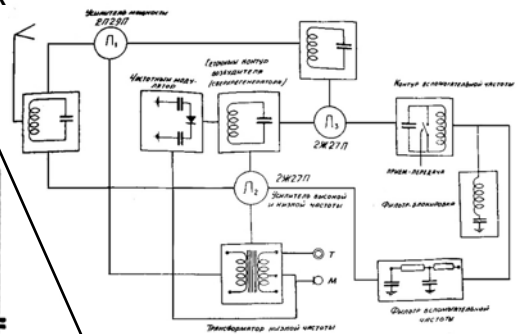
- Information retrieved from a not yet confirmed Internet source.



Circuit diagram (above) and block diagram (right) of the O2R2.



Circuit diagram of the R-116.



R-116 portable VHF AM transceiver, covert name 'Lily of the Valley'. Frequency coverage 48.65-51.30MHz in 10 channels with 294 kHz spacing. 60mW RF output. 1km range.