

R-392
Country of origin:
Russia



R-392 with Kulikov aerial, counterpoise wire, remote control unit and cheek microphone/headphone assembly.

REMARKS

The R-392 and later R-392A (Russian P-392 Сокол-М = Sokol-M, translated to Falcon, a bird of prey) was a fully transistorised VHF FM transceiver used by border troops, para's and special KGB units replacing the R-352. (Chapter 196) There were only minor internal differences between the two versions. The channel switch was protected by a threaded metal lid as with the R-352; the radio was otherwise immersion proof.

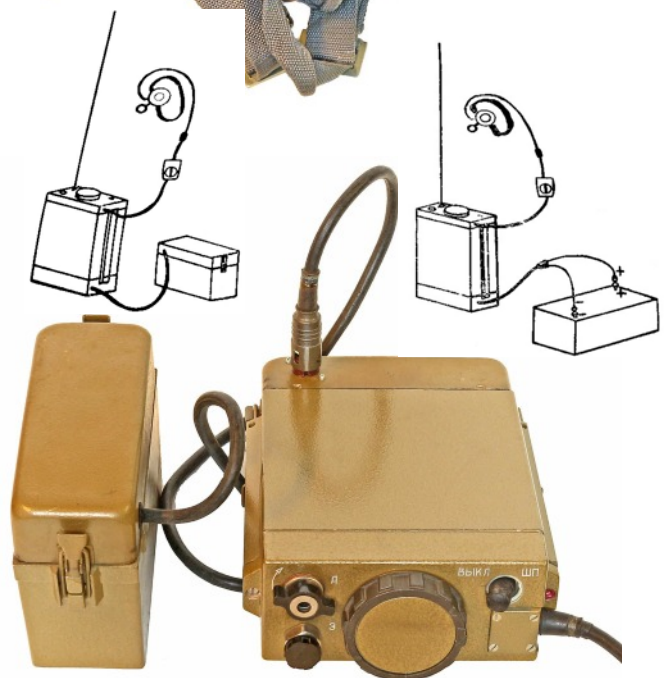
Originally the R-392 had a 70Hz tone squelch and speech inversion (using 3700Hz inversion frequency). The speech inversion mode was probably disabled in the radios which were delivered to the GDR, considering two tested R-392 models which functioned as a standard radio.



R-392 in canvas carrying bag.

DATA SUMMARY

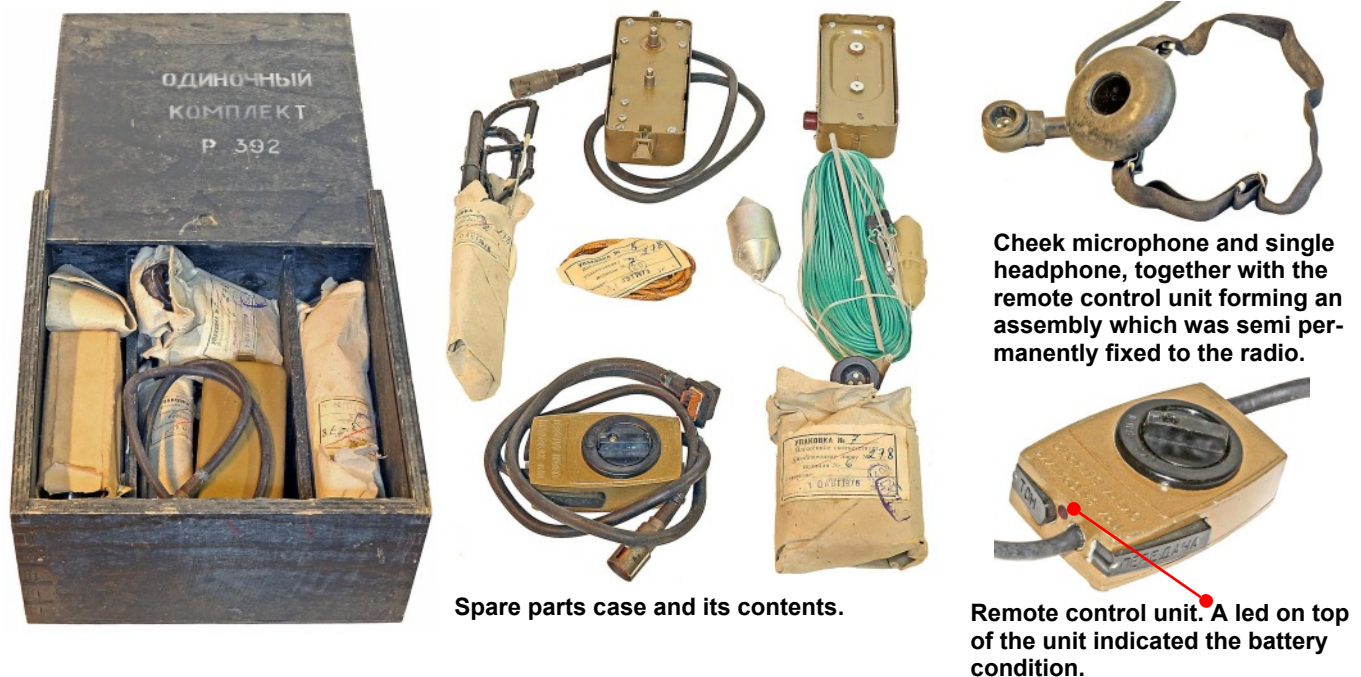
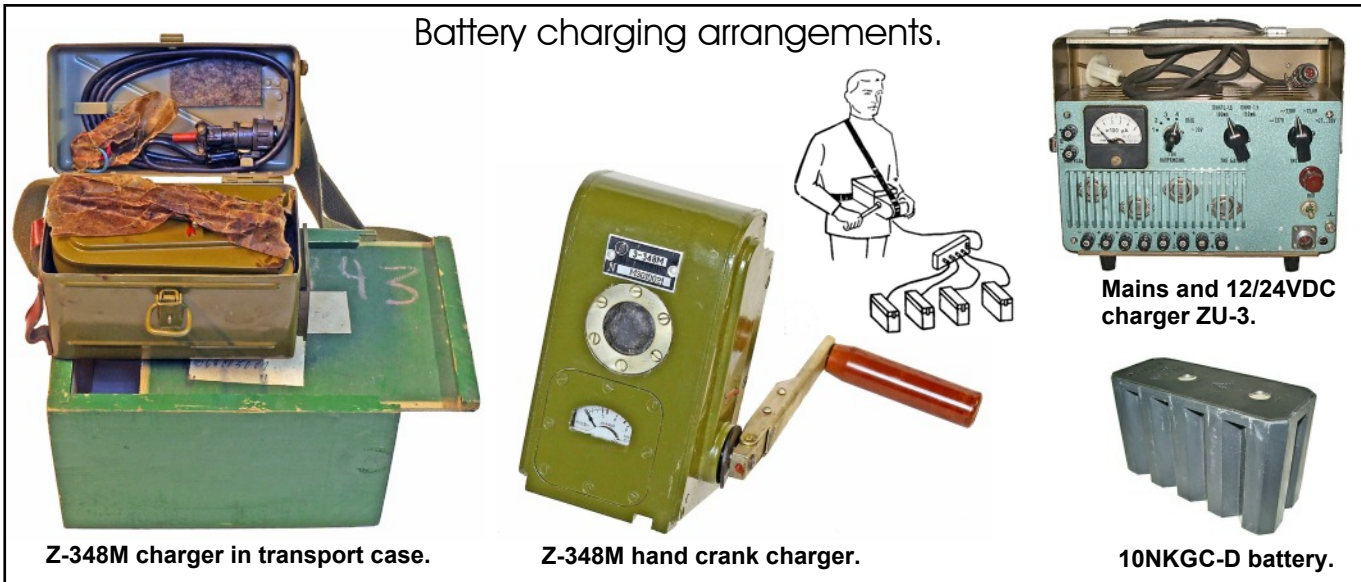
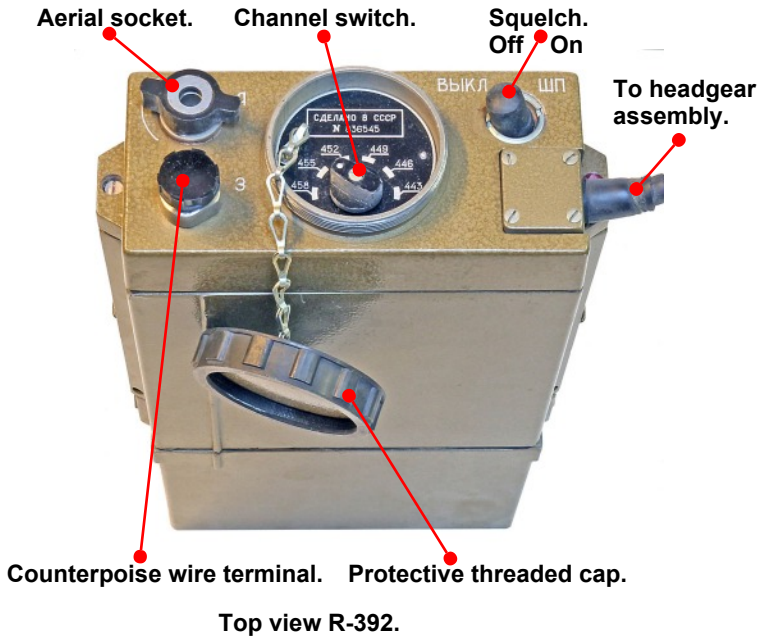
Design/Manufacturer: Russia.
Year of Introduction: 1983.
Purpose: Border troops, para's, special KGB units.
Transmitter/receiver:
Frequency range: 44-50MHz; 6 crystal controlled simplex FM voice channels. Frequency deviation ± 5 kHz.
Receiver: Double conversion superhet; 1st IF 13MHz, 2nd IF 1.6MHz. Sensitivity $\leq 0.5 \mu V$.
RF output: 1.6W.
Specified range: 10km, with long wire aerial 25km.
Aerial: Kulikov, counterpoise, long wire aerial.
Power Supply: Rechargeable 12V NC battery 10NKG-1D.
Size (cm): Height 22.8, length 5.5, width 13.5
Weight: 3.2kg.
Accessories: Kulikov aerial, long wire aerial, counterpoise, cheek microphone/headphone and remote control unit assembly, canvas carrying bag.
 Separately issued were: Hand cranked battery charger, cable for external 12V battery, ZU-3 AC mains-12/24VDC battery charger, padded bag for use by parachute troops.

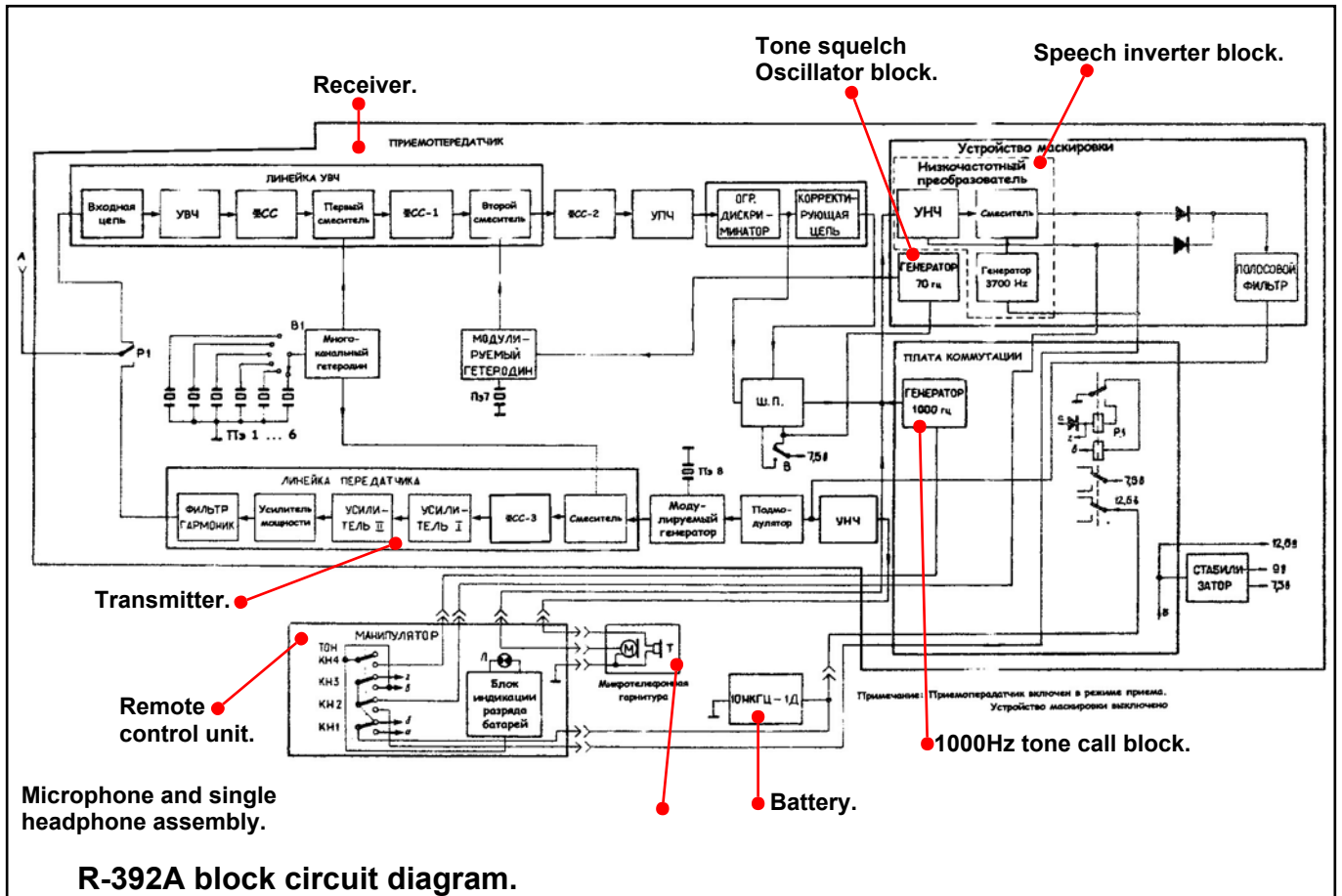


Arrangement for separate carrying the battery close to the body, e.g. in extreme cold, and power from an external 12V battery. (Drawing right)

References:

- 'Nachrichtentechnik der Nationalen Volksarmee, Teil 2', Günther Fietsch, DL9WSM. ISBN 3881803408, 1996.





R-392A block circuit diagram.

R-392 series.

The R-392 and R-392A were the first models in a series of VHF FM portable radios for reconnaissance and special forces. Some models may still be in operational use.

- R-392 'Sokol-M'.
- R-392A 'Sokol-M'.
- R-392 A-2,5 'Crossbow'.
- R-2-392 AK
- R-2M-392 AK
- R-2-392 ARK
- R-2M 392ARK
- R-3-392 ARK 'Peanut 3'.
- R-392 ATSM 'Peanuts'.