

An overview of all currently known Russian covert VHF FM radios is provided in Appendix 3.



Chaika
Country of origin:
Russia



DATA SUMMARY

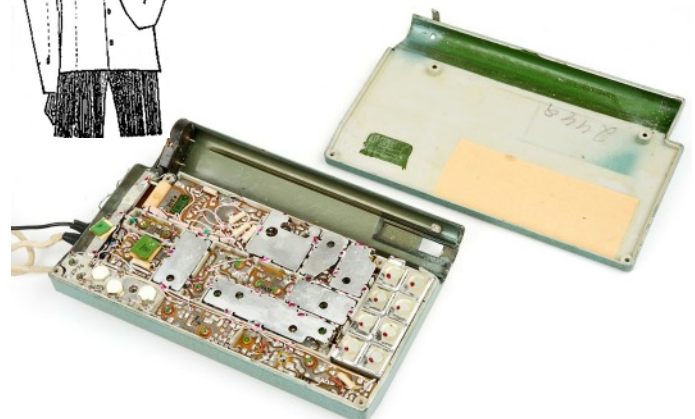
Organisation: МВД (MVD Ministry of Internal Affairs)
Design/Manufacturer: Russia.
Year of Introduction: Late 1970s, made well into the 80s.
Purpose: Covert surveillance operations and observation.
Receiver:
Circuit details: Dual conversion superheterodyne, single channel, crystal control, FM.
Frequency coverage: 148-150MHz band.
Sensitivity: 1.5µV at 20 dB s/n ratio.
Transmitter:
Circuit details: 12.xxMHz crystal, 12x multiplied, single channel, FM. Nominal frequency deviation 5kHz. 1750Hz calling tone.
Frequency coverage: 148-150MHz band.
RF Output: 500mW.
Power Supply: 6.5-9V DC derived from six AA type dry batteries or rechargeable Nicad batteries.
Weight: 850g
Size (cm): Height 2.3, Length 11.5, Width 17.7.
Accessories: Remote control unit, (rechargeable) batteries fitted in a thin metal holder.
 (A miniature covert microphone/speaker, aerial and counterpoise wires were permanently attached.)

REMARKS

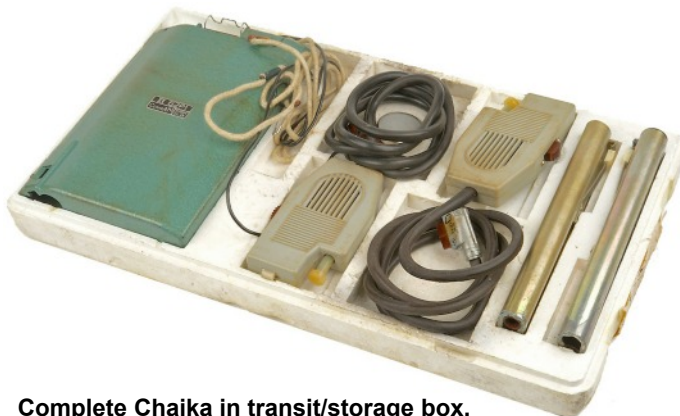
Chaika (Russian: ЧАЙКА = Seagull), also known as 62R1 (Russian 62P1), was a fully transistorised miniature VHF FM transmitter-receiver used for communication during covert operations and observations. There were three variants of the remote control unit: type I with microphone, speaker and vibrator, type II without vibrator, and a third with only a push to talk and call button. The permanently attached covert speaker/microphone was always in circuit. Several variations, differing only in detail, have been noted.



The transmitter-receiver unit was shaped to be worn on the chest carried in a cloth vest with pockets for spare batteries under the right shoulder. The flexible wire aerial and counterpoise were in the right hand sleeve and on the body. (See drawing left, taken from the user manual).



Internal view of Chaika with its cover detached. The plastic enclosure and cover were sprayed with silver paint for shielding.

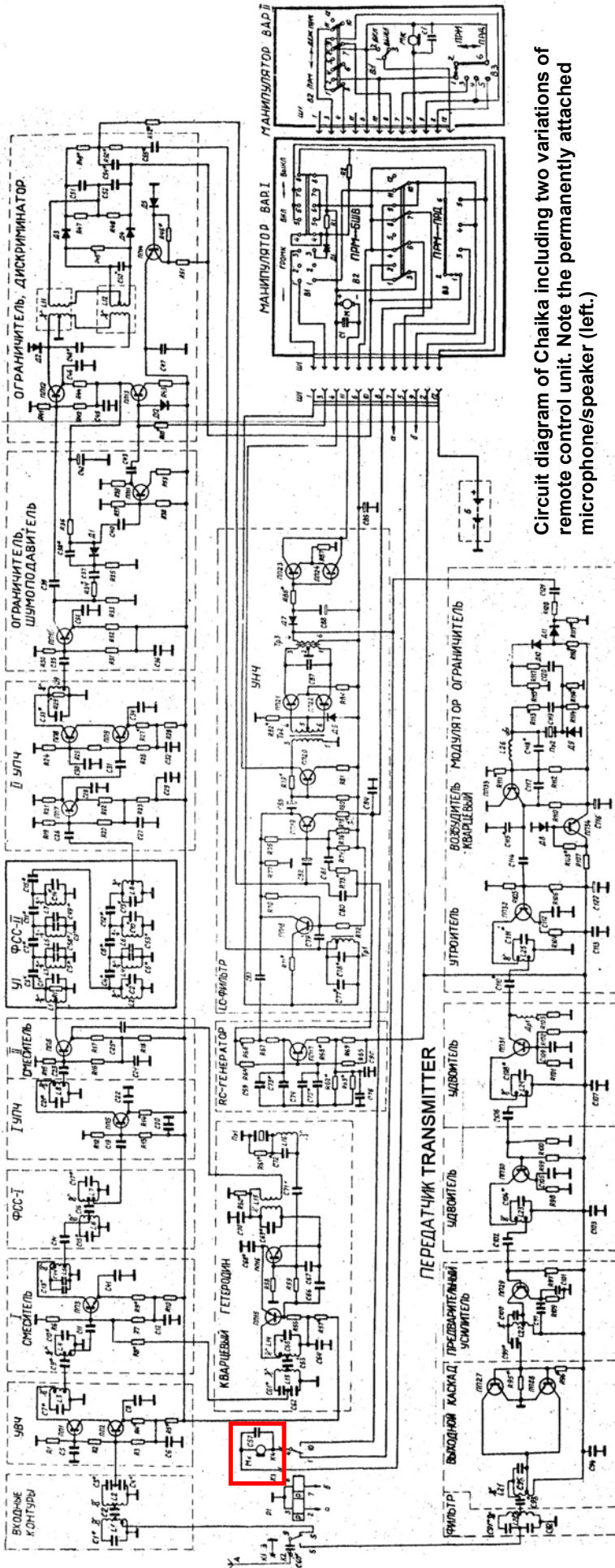


Complete Chaika in transit/storage box.

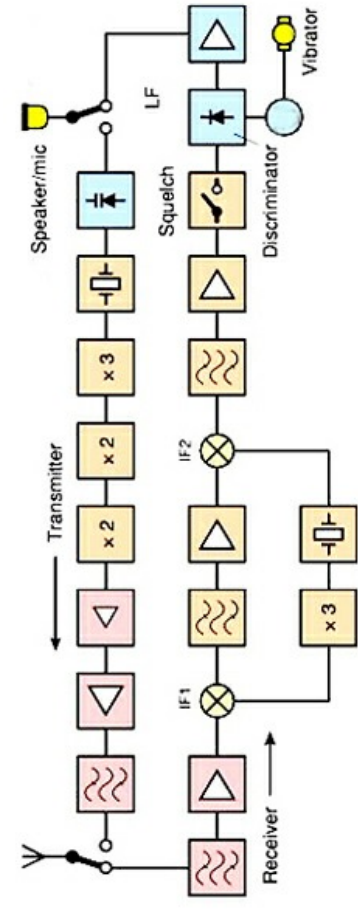
References:

- This chapter is an abridged version based on a detailed account of the Chaika, described on the website of the Crypto museum. (www.cryptomuseum.com) Photos taken from a Chaika held in the collection of the museum, circuit/block diagram and information from the website was published with kind permission of the Crypto Museum, Eindhoven, Holland.
- Technical handbook Radiostation 62P1, n.d.

ПРИЕМНИК RECEIVER



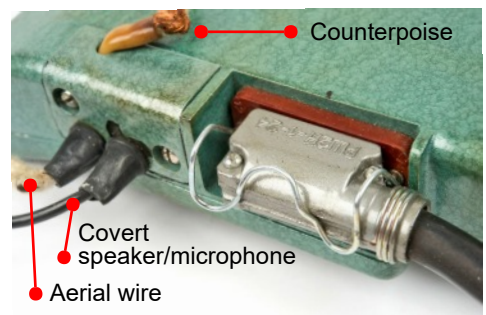
Circuit diagram of Chaika including two variations of remote control unit. Note the permanently attached microphone/speaker (left.)



Block diagram of the Chaika incorporating the components fitted in the remote control unit.



Detail view of battery holder which took 6 standard AA dry batteries or rechargeable NiCad batteries.



Close up view of of remote control unit socket and plug. Note the permanently attached microphone/speaker, aerial and counterpoise leads. (Serie AM)



Chaika variation not fitted with a covert speaker-microphone. (Left)