



Rion R-57
Country of origin:
Russia

DATA SUMMARY

Organisation: Former Soviet Union.

Year of Introduction: 1957.

Purpose: Agents

Receiver: RP-56A

Circuit features: RF, mixer, oscillator, IF stage (2x), detector/AF, AF output, BFO. AM R/T and CW.

Frequency coverage: 2-12 MHz in 4 ranges: 2-3.2MHz, 3.2-5MHz, 5-8MHz and 8-12MHz.

Valves: 1K1P (1K1П) 3x, 2P1P (2П1П) 2x, 1A1P (1A1П) 2x

Transmitter: R-57

Circuit features: LO/xtal osc, RF PA (two valves in parallel. CW only. Simplex and half duplex.

Frequency coverage: 2.5-10MHz in four ranges: 2.5-3.5, 3.5-5, 5-7, 7-10MHz.

RF output: 10W.

Valves: 4P1L (4П1Л) 3x

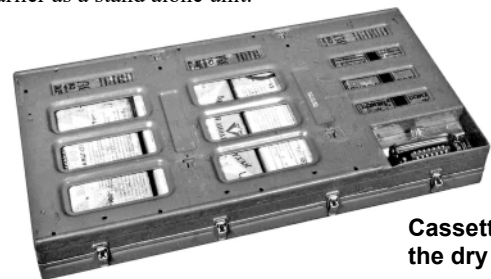
Power Supply: AC mains power unit, 12v DC vibrator power pack or dry batteries, when in use placed in the bottom of the suitcase.

Size (cm): Height 15, Length 30, Width 50.

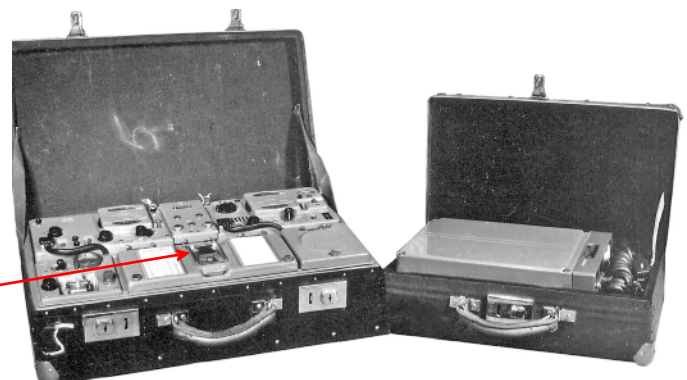
Accessories: Headphones, aerial and earth wire on spools, cables, Morse key, crystals, spares.

REMARKS

Rion (Russian=Рион) codename for R-57 (П-57) was a self-contained suitcase transmitter-receiver with built-in power unit, used by agents. The set was comprised of a PR-56A receiver and R-57 transmitter. In addition three boxes with spares and accessories, and one of three power supply units, carried in the bottom of the suitcase frame. This could be a battery pack, AC mains power unit or 12V vibrator power pack. Note the same size and similarity of controls and frequency scales of the transmitter and receiver units. The PR-56A receiver (described in Chapter 155) was developed one year earlier as a stand alone unit.



Cassette holding the dry batteries.



Rion suitcase and separate suitcase for carrying AC mains power unit and DC vibrator power pack.



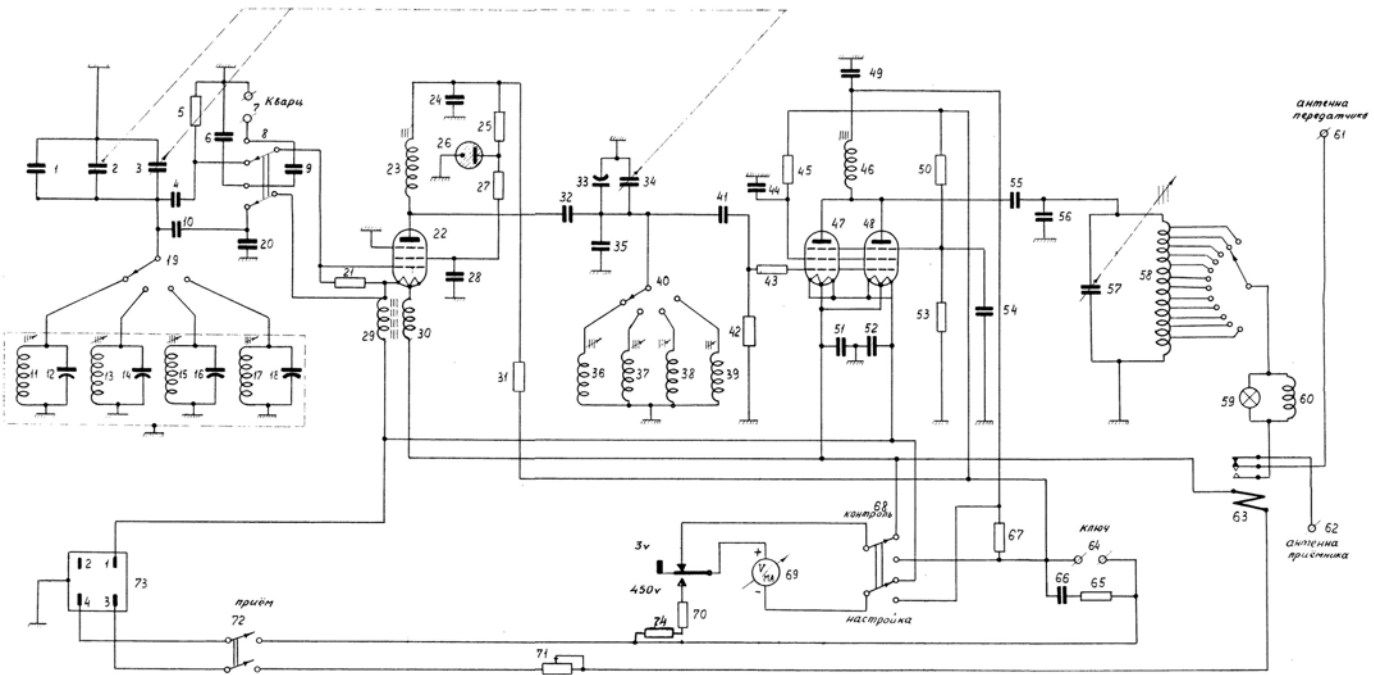
The original Morse key was clipped in a special holder which was fitted on top of the accessories box lid. This holder is missing in the set photographed in the Crypto Museum.



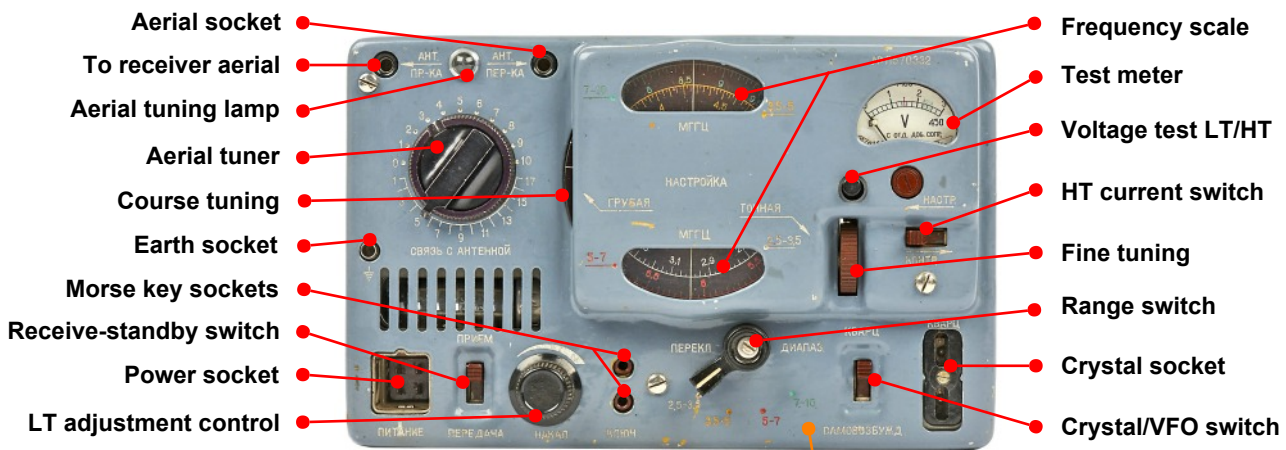
Internal view of the Rion transmitter unit.

References:

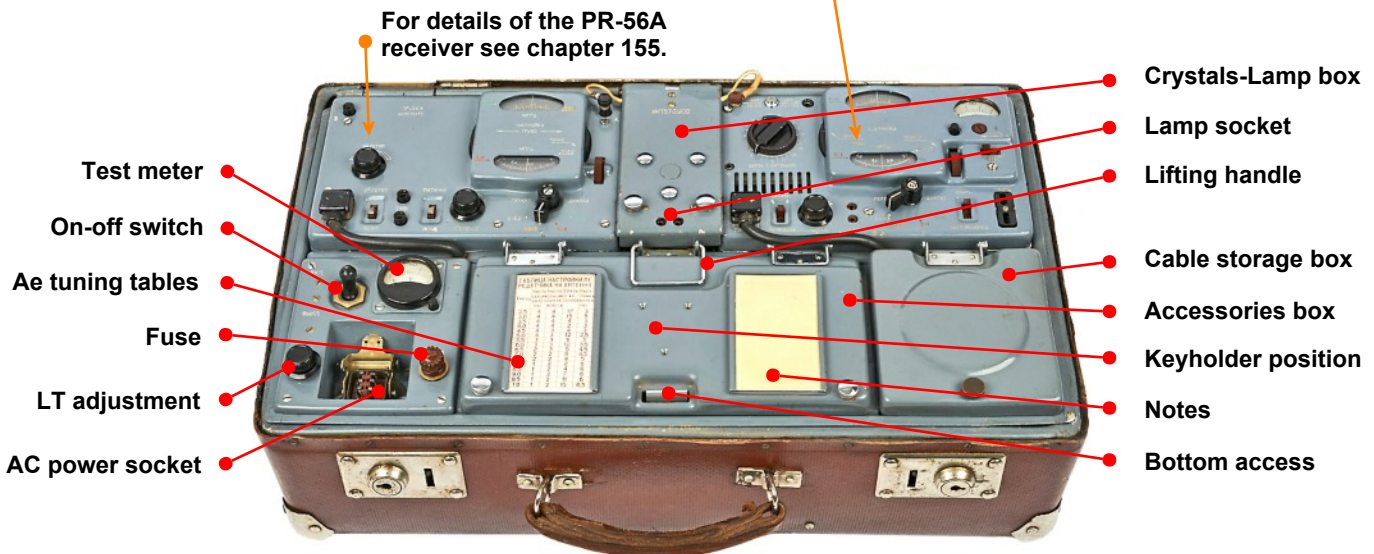
This chapter is an abridged version based on a full account of the Rion described in www.cryptomuseum.com Photos taken from a Rion held in the collection of the museum, and information from the website was published with kind permission of the Crypto Museum, Eindhoven, Holland.



Circuit diagram of the Rion R-57 transmitter.



Front panel layout and functions of controls Rion R-57 transmitter.



Front panel layout and functions of controls ancillary units in the Rion suitcase.