



RR/E-11
Country of origin:
USA

DATA SUMMARY

Organisation: CIA.
Design/Manufacturer: CIA Radio Lab.
Year of Introduction: 1959.
Purpose: Agents and special operations.
Receiver: Transistorised superhet with adjustable BFO.
Frequency Coverage: 3-12MHz in a single range. AM R/T and CW.
Power Supply: 6 or 12V battery or derived directly from the associated AT-3 transmitter.
Size (cm): Height 5, Length 18, Width 9. (*An estimate!*)
Accessories: Headphones, wire aerial, ground lead, battery, battery holder.

Remarks

Receiver RR/E-11 was a miniature shortwave receiver primarily intended to be used as a companion receiver to the AT-3 transmitter. (Part of the AS-3, see Chapter 143.) It could also be used stand alone, powered from an external 6V or 12V battery. When used with the AT-3 transmitter, the RR/E-11 received power and aerial/earth connections via a DB-9 plug and socket. The casing was constructed for rough handling, water resistant but not immersion proof. There were two versions: RR/D-11 which covered 3-12MHz and 12-30MHz in two bands. The RR/E-11 had just the lower 3-12MHz band. From CIA memos there were ‘...150 units delivered..in May 1959, with the original procurement...’. It was possible that there have been additional purchase orders later.

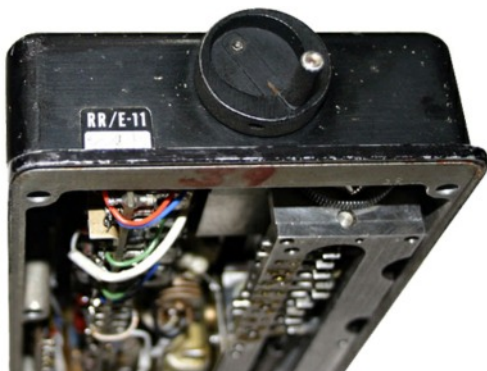
At the time of publishing this chapter no detailed technical information nor a (block) circuit diagram was available.



Left hand side view showing the DB-9 plug which connected the receiver to the AT-3 transmitter.



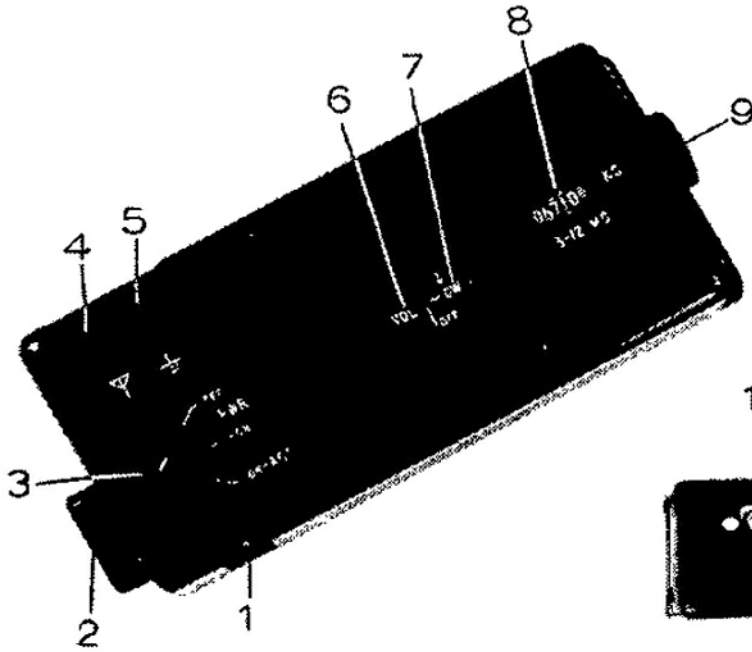
Cut-out of a RR/D-11 front panel photo. The receiver was about 25mm wider as the RR/E-11. It accommodated two separate almost identical RF tuners and tuning mechanisms, switched by a band control switch. It had two separate toggle switches for power and automatic gain control, whereas the RR/E-11 had a combined four position switch.



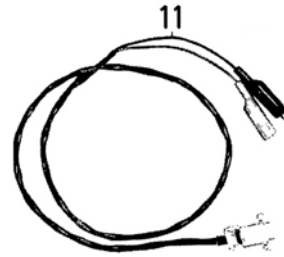
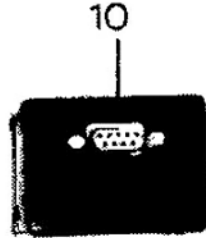
Right hand side view showing part of the tuning mechanism and RF tuning assembly of the RR/E-11.

References:

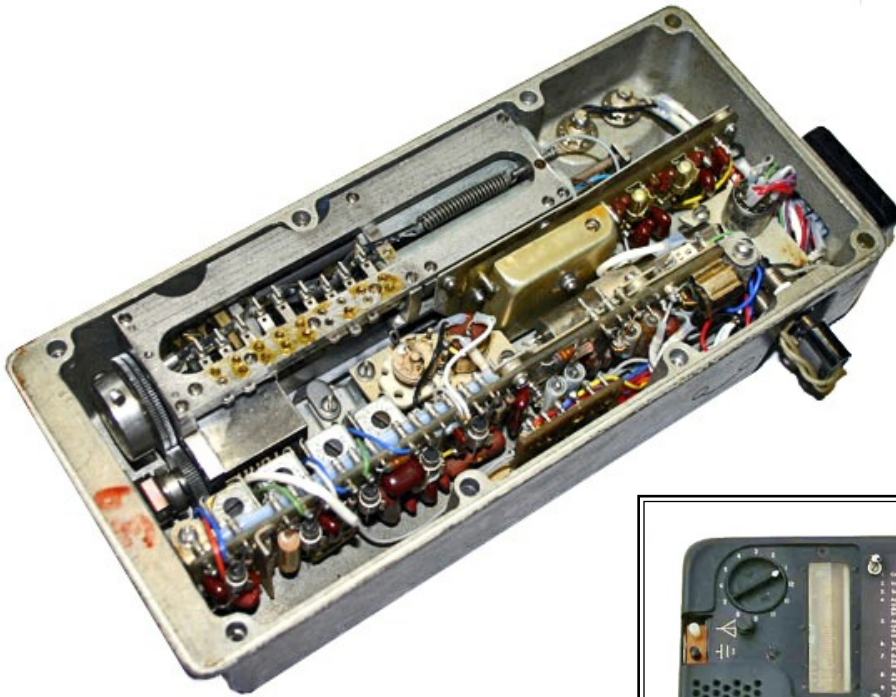
- Information, technical data and photographs courtesy Pete McCollum, N0TDM, USA.
- User handbook RR/E-11.



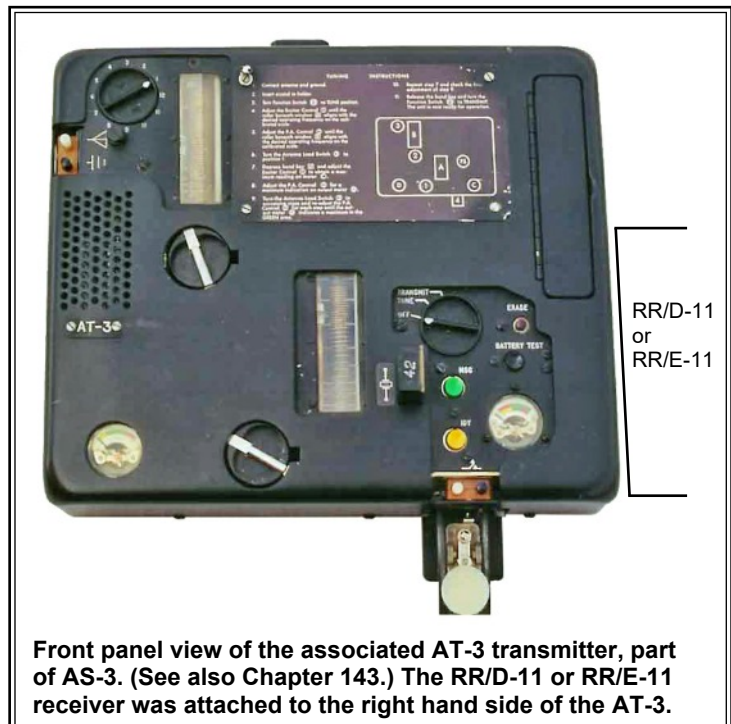
- 1 Headphone sockets
- 2 9-point plug
- 3 Power on/off and agc on/off switch
- 4 Aerial terminal
- 5 Ground terminal
- 6 Volume control
- 7 CW pitch control
- 8 Frequency dial clockwork
- 9 Frequency tuning knob
- 10 6V dry battery for direct plug-in
- 11 Power connector for 12V battery



Function of controls and accessories of RR/E-11.



Bottom view of the RR/E-11 with cover detached. RF tuner assembly and control mechanism are at the left.



Front panel view of the associated AT-3 transmitter, part of AS-3. (See also Chapter 143.) The RR/D-11 or RR/E-11 receiver was attached to the right hand side of the AT-3.