



S 90/40
Country of origin:
Italy/
Germany WW2

This supplement chapter is a follow up and should be read in conjunction with the 'SE 90/40' section in the 'Germany up to 1945' chapter, and the 'Stazione RN-6' section in the 'Italy' chapter of WftW Volume 4 for more information.

DATA SUMMARY

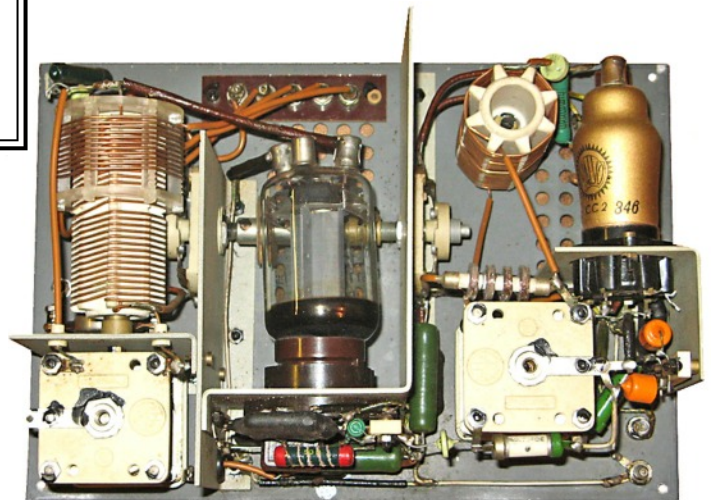
Organisation: OKW Amt Ausland, Abwehr.
Design: Abt II, OKW-Aussenstelle Berlin-Stahnsdorf.
Manufacturer: Stahnsdorf until 1942, OKW Aussenstelle Wurzen from 1942 onwards.
Year of Introduction: 1939.
Purpose: Agents, counter Abwehr etc.
Transmitter: S 89-40.
Circuit features: VFO and RF power amplifier. CW only.
Frequency Coverage: 3.5-8.5MHz. (Standard range.)
RF output: 40W
Valves: CC2 and RL 12 P50.
Associated receiver: E 90 (E 75).
Power Supply: Separate AC Mains power unit GISE 90.
Size (cm): Height 19, Length 28, Width 10.5. (S 90/40)
Weight: 2.6kg.

REMARKS

The S 90/40 was a shortwave transmitter normally associated with a separate E90 (E75) receiver and power unit GISE, forming station SE 90/40, which was usually packed in a suitcase. The standard version covered 3.5-8.5MHz, noted are other frequency ranges e.g. 5.3-9.3MHz. The transmitter shown in the photo above (serial number 2) had Italian markings which led to the belief that a small number of S 90/40 transmitters were acquired by the Italian equivalent of the Abwehr. This most likely resulted in the RN-6, an Italian version of the S 90-40, produced by Nova Radio in Milan.



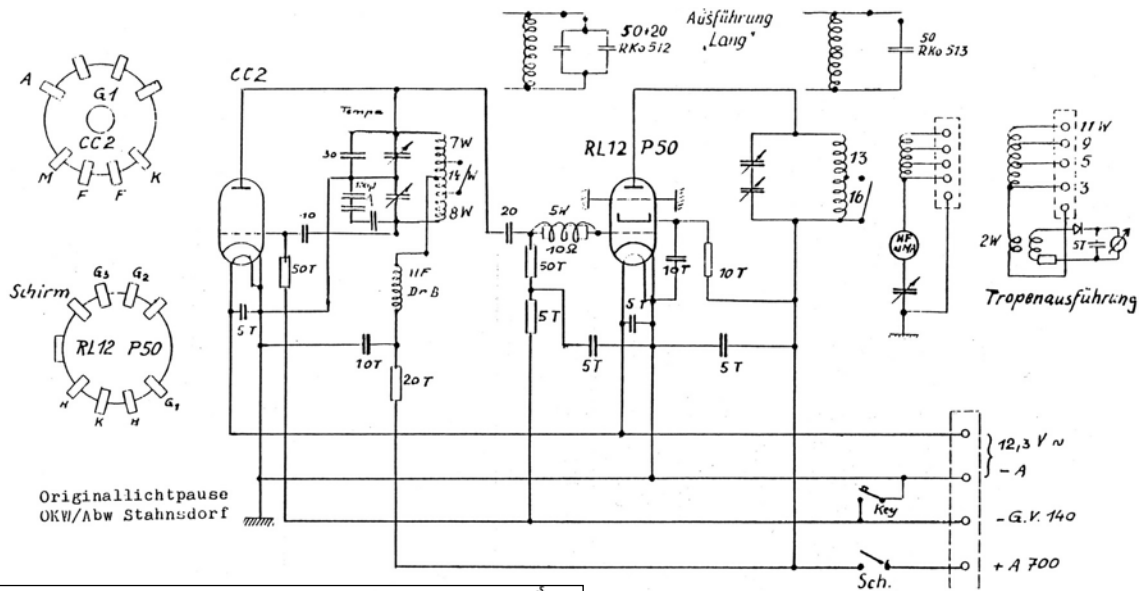
Complete SE 90/40 with power unit, accessories and spare parts packed in a suitcase



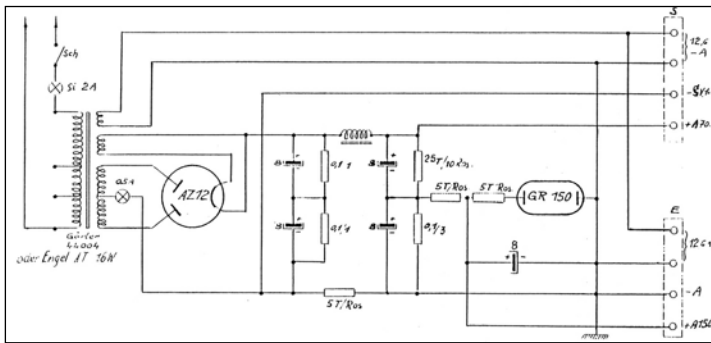
Internal view of the S 90/40 transmitter. The CC2 oscillator valve was located in the right hand compartment, and the RL 12 P50 RF power amplifier valve with PA tuning on the other side of the RF screen.

References:

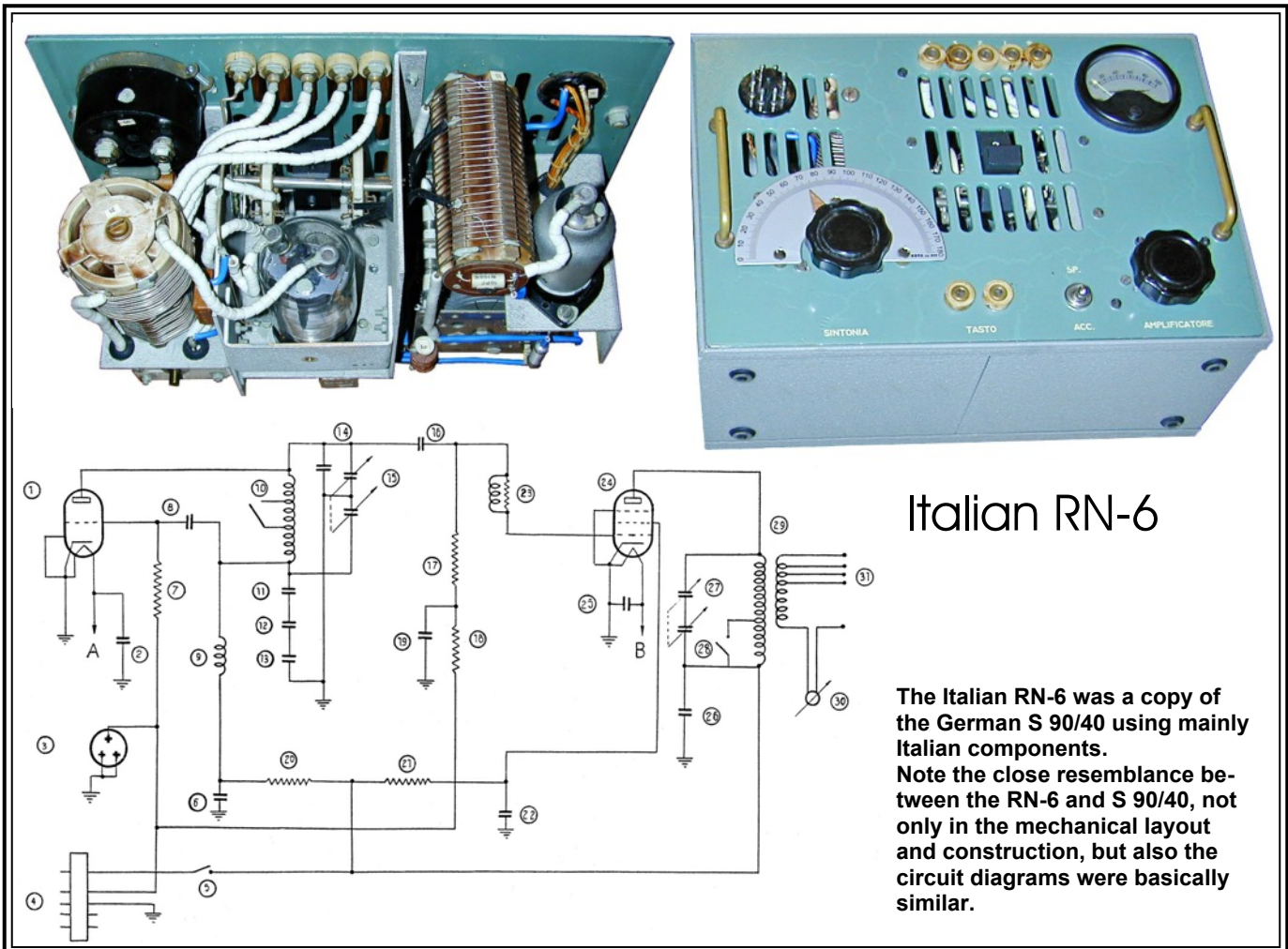
- Photographs S 90/40 courtesy Gerhard Reinel, DH2FAI, Germany, via Detlev Vreisleben, DC7KG, Germany.
- Photo's of Italian RN-6 taken by Antonio Fucci.
- Original OKW, Amt II, Stahnsdorf circuit diagrams, and technical data from Rudolf Staritz, DL3CS, Germany.



Circuit diagram of the S 90/40. (Above)



Circuit diagram of the associated power supply unit GISE 90. (Left)



Italian RN-6

The Italian RN-6 was a copy of the German S 90/40 using mainly Italian components. Note the close resemblance between the RN-6 and S 90/40, not only in the mechanical layout and construction, but also the circuit diagrams were basically similar.

© This WftW Volume 4 Amendment is a download from www.wftw.nl. It may be freely copied and distributed, but only in the current form.